



MILAN DAB+ RADIO

Ref. nr.: 102.210 / 102.212 / 102.214



INSTRUCTION MANUAL
GEBRUIKSAANWIJZING
BEDIENUNGSANLEITUNG
MANUAL DE INSTRUCCIONES
MANUEL D'INSTRUCTIONS

V2.1

INDEX

ENGLISH	4
UNPACKING INSTRUCTION.....	5
POWERSUPPLY	5
CONTROL	5
GETTING STARTED.....	6
CHARGING BATTERY	6
BT PLAYBACK	6
DAB MODE	6
FM MODE.....	6
PRESET A STATION	7
RECALL A STATION PRESET	7
MAIN MENU OF DAB MODE.....	7
MAIN MENU OF FM MODE	8
Q & A.....	8
NEDERLANDS	9
UITPAKKEN.....	10
AANSLUITSPANNING	10
BEDIENING	10
AAN DE SLAG.....	11
OPLAADBARE BATTERIJ	11
BT AFSPLELEN	11
DAB MODUS	11
FM MODUS.....	11
VOORKEUZEZENDER INSTELLEN	12
EEN VOORKEUZEZENDER OPROEPEN	12
HOOFDMENU VAN DAB MODUS	12
HOOFDMENU VAN DE FM-MODUS	13
VRAAG & ANTWOORD.....	13
DEUTSCH	14
AUSPACKEN	15
NETZANSCHLUSS.....	15
BEDIENUNG	15
ERSTE STARTUNGEN	16
BATTERIE AUFLADEN	16
BT WIEDERGABE	16
DAB MODUS	16
FM MODUS.....	16
EINEN SENDER VOREINSTELLEN	17
AUFRUFEN EINES SENDERSPEICHERS.....	17
HAUPTMENÜ DES DAB MODUS	17
HAUPTMENÜ DES FM-MODUS.....	18
FRAGEN UND ANTWORTEN	18
ESPAÑOL	19
INSTRUCCIONES DE DESEMBALAJE.....	20
FUENTE DE ALIMENTACIÓN.....	20
CONTROL	20
EMPEZANDO.....	21
CARGANDO LA BATERÍA.....	21
REPRODUCCIÓN BT.....	21
MODO DAB	21
MODO FM.....	21
PRESINTONIZAR UNA EMISORA	22
RECUERDA UNA EMISORA PRESINTONIZADA	22
MENÚ PRINCIPAL DE MODO DAB	22
MENÚ PRINCIPAL DEL MODO FM	23
PREGUNTAS Y RESPUESTAS	23
FRANÇAIS	24
DEBALLAGE.....	25
ALIMENTATION	25
REGLAGES	25
DEMARRER	26
CHARGEMENT DE LA BATTERIE	26
LECTURE BT	26
MODE DAB	26
MODE FM.....	26
PRESET DE STATION.....	27
RAPPELER UN PRESET	27
MENU PRINCIPAL MODE DAB	27
MENU PRINCIPAL MODE FM	28
FAQ.....	28
TECHNICAL SPECIFICATION / TECHNISCHE SPECIFICATIE / TECHNISCHE DATEN / SPECIFICACIONES TÉCNICAS / SPÉCIFICATIONS TECHNIQUES	30

ENGLISH

Congratulations to the purchase of this Audizio product. Please read this manual thoroughly prior to using the unit in order to benefit fully from all features.

Read the manual prior to using the unit. Follow the instructions in order not to invalidate the warranty. Take all precautions to avoid fire and/or electrical shock. Repairs must only be carried out by a qualified technician in order to avoid electrical shock. Keep the manual for future reference.

- Prior to using the unit, please ask advice from a specialist. When the unit is switched on for the first time, some smell may occur. This is normal and will disappear after a while.
- The unit contains voltage carrying parts. Therefore, do NOT open the housing.
- Do not place metal objects or pour liquids into the unit. This may cause electrical shock and malfunction.
- Do not place the unit near heat sources such as radiators, etc. Do not place the unit on a vibrating surface. Do not cover the ventilation holes.
- The unit is not suitable for continuous use.
- Be careful with the mains lead and do not damage it. A faulty or damaged mains lead can cause electrical shock and malfunction.
- When unplugging the unit from a mains outlet, always pull the plug, never the lead.
- Do not plug or unplug the unit with wet hands.
- If the plug and/or the mains lead are damaged, they need to be replaced by a qualified technician.
- If the unit is damaged to such an extent that internal parts are visible, do NOT plug the unit into a mains outlet and DO NOT switch the unit on. Contact your dealer. Do NOT connect the unit to a rheostat or dimmer.
- To avoid fire and shock hazard, do not expose the unit to rain and moisture.
- All repairs should be carried out by a qualified technician only.
- Connect the unit to an earthed mains outlet (220-240Vac/50Hz) protected by a 10-16A fuse.
- During a thunderstorm or if the unit will not be used for a longer period of time, unplug it from the mains. The rule is: Unplug it from the mains when not in use.
- If the unit has not been used for a longer period of time, condensation may occur. Let the unit reach room temperature before you switch it on. Never use the unit in humid rooms or outdoors.
- To prevent accidents in companies, you must follow the applicable guidelines and follow the instructions.
- Do not repeatedly switch the fixture on and off. This shortens the lifetime.
- Keep the unit out of the reach of children. Do not leave the unit unattended.
- Do not use cleaning sprays to clean switches. The residues of these sprays cause deposits of dust and grease. In case of malfunction, always seek advice from a specialist.
- Do not force the controls.
- This unit is with speaker inside which can cause magnetic field. Keep this unit at least 60cm away from computer or TV.
- If this product has a built-in lead-acid rechargeable battery. Please recharge the battery every 3 months if you are not going to use the product for a long period of time. Otherwise the battery may be permanently damaged.
- If the battery is damaged, please replace with same specifications battery. And dispose the damaged battery environment friendly.
- If the unit has fallen, always have it checked by a qualified technician before you switch the unit on again.
- Do not use chemicals to clean the unit. They damage the varnish. Only clean the unit with a dry cloth.
- Keep away from electronic equipment that may cause interference.
- Only use original spares for repairs, otherwise serious damage and/or dangerous radiation may occur.
- Switch the unit off prior to unplugging it from the mains and/or other equipment. Unplug all leads and cables prior to moving the unit.
- Make sure that the mains lead cannot be damaged when people walk on it. Check the mains lead before every use for damages and faults!
- The mains voltage is 220-240Vac/50Hz. Check if power outlet match. If you travel, make sure that the mains voltage of the country is suitable for this unit.
- Keep the original packing material so that you can transport the unit in safe conditions.



This mark attracts the attention of the user to high voltages that are present inside the housing and that are of sufficient magnitude to cause a shock hazard.



This mark attracts the attention of the user to important instructions that are contained in the manual and that he should read and adhere to.

The unit has been certified CE. It is prohibited to make any changes to the unit. They would invalidate the CE certificate and their guarantee!

NOTE: To make sure that the unit will function normally, it must be used in rooms with a temperature between 5°C/41°F and 35°C/95°F.



Electric products must not be put into household waste. Please bring them to a recycling centre. Ask your local authorities or your dealer about the way to proceed. The specifications are typical. The actual values can slightly change from one unit to the other. Specifications can be changed without prior notice.

Do not attempt to make any repairs yourself. This would invalid your warranty. Do not make any changes to the unit. This would also invalid your warranty. The warranty is not applicable in case of accidents or damages caused by inappropriate use or disrespect of the warnings contained in this manual. Audizio cannot be held responsible for personal injuries caused by a disrespect of the safety recommendations and warnings. This is also applicable to all damages in whatever form.

UNPACKING INSTRUCTION

CAUTION! Carefully unpack the box upon receipt. Check the contents to ensure that all parts are present and have been received in good condition. Notify the shipper immediately and retain packaging material if any parts appear damaged from shipping or the package itself shows signs of mishandling. Save the package and all packaging materials. If the product must be returned, it is important that the product is returned in the original factory box and packaging.

If the device has been exposed to drastic temperature fluctuation (e.g. after transportation), do not switch it on immediately. The arising condensation water might damage your device. Leave the device switched off until it has reached room temperature.

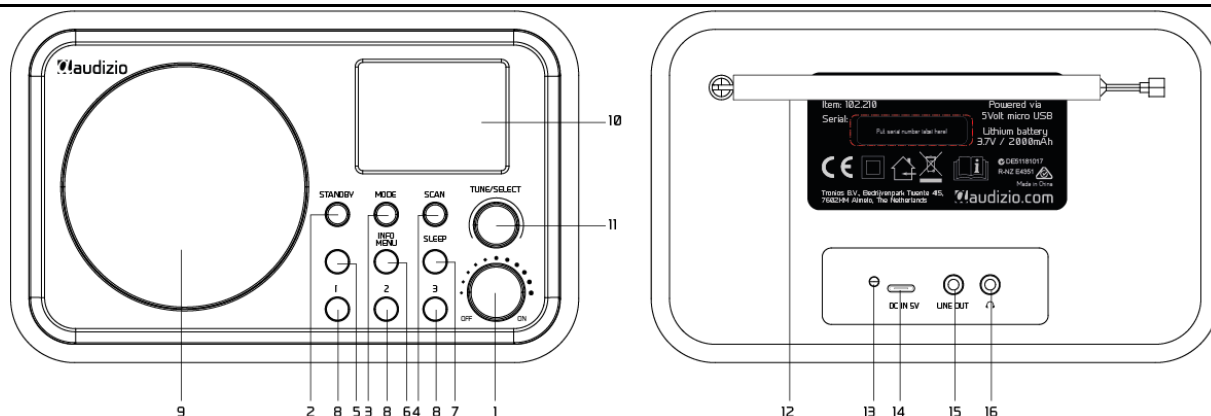
POWERSUPPLY

The label on the back/under side of the product indicates the mains voltage to which it must be connected. Check that the mains voltage corresponds to this. Any other voltage than the one indicated may cause irreparable damage to the unit. The unit must also be connected directly to the mains voltage and no dimmer or adjustable power supply may be used.



Always connect the device to a protected circuit (circuit breaker or fuse). Make sure the device has an appropriate electrical ground to avoid the risk of electrocution or fire.

CONTROL



- 1. Power / Volume control**
Rotate clockwise to power on the radio. Rotate anti-clockwise to power off. Increase / decrease volume level.
- 2. Standby on /off**
- 3. Mode**
Press to toggle between DAB, FM and BT streaming.
- 4. Scan**
DAB - Press to full scan.
FM - Press to full scan.
- 5. ♥ (Preset)**
Press and hold to enter list of preset store. Press to recall the preset list.
- 6. Info/Menu**
Press and hold the button to enter the main menu, press it briefly to cycle through the information broadcasted by the radio station.
- 7. Sleep**
Press to enter sleep timer selection.
- 8. Preset button 1 / 2 / 3**
Dedicated preset button no. 1-3 Press and hold to preset the channel. Press briefly to recall.
- 9. Speaker**
- 10. 2.4" color TFT screen**
- 11. Tune / Select**
Press to confirm / rotate the knob to browse the item from the list or adjust the radio frequencies. Push in FM mode to scan the next available station.
- 12. Telescopic Antenna**
- 13. Battery charging indicator**
- 14. DC IN 5V**
USB-C charging port / connect with DC power adapter.
- 15. Line out**
- 16. Earphone jack**

GETTING STARTED

The radio is powered by the built-in lithium battery. A USB cable is supplied in the product package for battery charging.

Power on the radio by turning the **<Power/Volume>** knob to clockwise direction. The radio will power up and enter into Standby. Press the **<Standby>** button to turn it on.

To turn it into standby, press the **<Standby>** button. If you want to power off the radio, turn the **<Power/Volume>** knob anti-clockwise until you hear the click and the screen is off.

CHARGING BATTERY

Always check the battery indicator on the top right corner of the screen to see the battery power status.

When battery power is low, the battery indicator will be blank and "Battery low" will pop up as a reminder to charge the battery.

To charge the battery, connect the USB-C plug to the port at the rear side of the radio, connect the other end to a power source supplied in 5V OUT. The LED will light up in red indicates the battery is charging.

The LED will turn to green when charging is done.

Note: The charging might take much longer to complete if the radio is playing or in standby while charging.

BT PLAYBACK

Before transmission between your BT device and the radio is possible, both devices must be coupled. This process is called "pairing". The radio is served as a receiver, to receive music stream to play on the radio.

If you have already coupled to a BT device before, this connection will be restored automatically when both devices are in range and BT operation has been selected on the radio. "Pairing" does not have to be repeated. This function may need to be activated in your BT device, however.

- Push the Menu button to display the selection menu for the different operating modes.
- Use the up/down button to select the operating mode BT and push the dial switch.
- Switch your BT device to which you want to connect the radio on and activate the pairing mode here. The device scans for BT devices in the reception range.
- When the radio is found, your BT device shows its name Audizio Milan.
- Select the radio at your BT device.
- Start playback on your BT device.
- Playback now takes place using the radio.

DAB MODE

If this is the first time using the radio, it will start on DAB. If not, press the **<MODE>** button on the radio to change to DAB mode. The radio will start scanning all the available radio stations as follow:

Scan 

Scanning...

Stations: 0



65%

The scanned station list will be displayed after the scan is done. Use the **<TUNE/SELECT>** knob to select the radio station. When a radio station is playing and you want to choose others to play, rotate the **<TUNE/ SELECT>** knob.

Press the **<INFO/MENU>** button repeatedly to cycling through the radio information.

Note: Always adjust the length and direction of the telescopic antenna to optimize the best reception level.

FM MODE

Select the FM mode, press **<SCAN>** to initiate the auto scan. The radio will store the preset automatically when the scan is done.

To manual adjust the frequency, rotate the **<TUNE/ SELECT>** knob to tune the frequency in the step of 0.05MHz.

PRESET A STATION

Your radio can store up to 40 DAB stations and 40 FM stations in its preset memories for instant access to your favorite stations.

1. Tune your radio to the station that you wish to preset.
2. Press and hold <♥> button on the radio, it will enter the "Preset Store" list. Select the preset number you want to save by using the <TUNE/SELECT> knob, press the <TUNE/SELECT> knob to confirm. It will show the preset number is saved.
3. There are 3 preset buttons on the radio. It allows to save and recall quickly a dedicated channel. Press and hold the button to store the channel.
4. You can replace the existing preset with other channel by doing the same preset procedure as described above.

RECALL A STATION PRESET

Briefly press the <♥> button on the unit, the preset list will pop up. Rotate the <TUNE/SELECT> knob to find the station you want to listen, then press <TUNE/SELECT> knob to recall the station.

If you have preset the favourite channels for Preset button 1-3, simply press these buttons to access them quickly.

Note:

1. If there is already an existing DAB or FM station stored under a preset, it will be overwritten when you save a new station.
2. The DAB presets will not overwrite the FM station presets.

MAIN MENU OF DAB MODE

When you listen to DAB radio station, press and hold the <INFO/MENU> to enter the main menu as follows:

Menu	1/9
Scan	
Manual Tune	
Prune Invalid	▶
Sleep	▶
Time/Date	▶
Backlight	▶

Scan

Press to scan for DAB radio stations.

Manual Tune

Press to enter the manual tune, then you can choose the frequency from 5A to 13F and perform a scan in the available frequency manually.

Prune Invalid

Some DAB services may stop broadcasting or you may not be able to receive a station. Select "yes" to delete the DAB stations from your station list that can no longer be received.

Sleep

This is the setting for sleep timer. The radio will turn in Standby when the time is due.

There are multiple timer options available.

Use the <Tune/Select> knob to choose and press <Tune/Select> to confirm.

If you wish to cancel the sleep timer function, select "Off" on the menu.

Time/Date

There are 5 settings:

1. Set Time/Date: This allows the user to manually set the current Time and Date.
2. Set hour system: This option will change the format of your clock to either 12 hour or 24 hour format.
3. Set date Format: This option will change the format of the date to DD/MM/YYYY or MM/DD/YYYY.
4. Clock style: Choose to display the clock in analog or digital style.
5. Auto Update: This function will set the radio's time and date automatically with data sent along with the broadcast of either the FM or DAB radio station. You can choose "No Update" then the radio will not receive the time data.

Note:

The FM auto Time/Date update may not work in your area, so the DAB auto update option is recommended.

Backlight

There are 3 brightness levels you can choose: High, Medium & Low.

1. Timeout: This option is used to set the period of time that you wish your display's backlight to remain lit when your radio is just playing without any operation is made.

The available options are: Off /10sec /20sec /30sec /45sec /60sec /90sec /120 sec /180 sec.

Select "Off" will force your radio's backlight to remain on constantly without dim down no matter during operation or idle. If you select a specific time interval, after the selected time period has lapsed the display will dim down.

2. Level: There are 3 levels to choose, High, Medium and Low. This option will determine how bright the display's backlight is lit when the radio is operating.

Language

There are multiple languages available for the menu: English, German, French, Norwegian, Italian, Swedish, Danish, Polish, Finnish.

Factory reset

You can reset the radio to the factory default any time. Once a reset has been done, all previous settings and preset will be erased and the radio will resume to DAB mode.

System Version

Press to see the firmware version.

Please note if there is not any operation in 10 seconds, the radio will return to last playing mode.

Note: To exit / return to the last menu level, press the <INFO/MENU> button.

MAIN MENU OF FM MODE

While the radio is in FM mode, press and hold the <INFO/MENU> button on the radio to enter the main menu.

Scan setting

There are two types of scan available. The scan is carried out according to "Strong station" or "All station". If "Strong station" is selected, it will scan only the channels with strong reception signal where the radio is placed. If "All station" is selected, it will scan out both the strong and weak channels.

Audio setting

You can choose to have "Mono" or "Stereo". If the signal is weak and stable stereo reception is not possible, select "Mono" have better reception. When a FM station is playing, press the <TUNE/SELECT> button can access to change the audio setting. When it appears with, it means it's stereo. To select Mono, press <TUNE/SELECT> again. The icon will disappear, and it means Mono is selected.

Additional system settings

The options available are same as in DAB mode (except for "manual tune" and "prune invalid"). Please refer to the DAB section as described above.

Q & A

If you are experiencing problems with your DAB radio there are some quick and easy checks that you can do, which may help to solve the problem.

Radio not turning on/not working

- Connect the USB cable to charge the battery and try powering on the radio again.

No DAB reception

- Please carry out "Factory Reset" on the radio and adjust the length and direction of the antenna.
- Move the radio close to the window.
- Carry out Full Scan again from the Main menu (Press and hold the Info/Menu button).

Radio reception is poor

- Please adjust the length and direction of the antenna to improve reception.
- Check that you do not have other electrical equipment too close to your radio, causing interference.

No sound

- Adjust the volume level.
- Please change other radio channels and see if there is sound. It could be the reception issue or the broadcasting problem which does not have sound.

NEDERLANDS

Hartelijk dank voor de aanschaf van dit Audizio product. Neemt u a.u.b. een paar momenten de tijd om deze handleiding zorgvuldig te lezen, aangezien wij graag willen dat u onze producten snel en volledig gebruikt.

Lees deze handleiding eerst door alvorens het product te gebruiken. Volg de instructies op anders zou de garantie wel eens kunnen vervallen. Neem ook altijd alle veiligheidsmaatregelen om brand en/of een elektrische schok te voorkomen. Tevens is het ook raadzaam om reparaties / modificaties e.d. over te laten aan gekwalificeerd personeel om een elektrische schok te voorkomen. Bewaar deze handleiding ook voor toekomstig gebruik.

- Bewaar de verpakking zodat u indien het apparaat defect is, dit in de originele verpakking kunt opsturen om beschadigingen te voorkomen.
- Voordat het apparaat in werking wordt gesteld, altijd eerst een deskundige raadplegen. Bij het voor de eerste keer inschakelen kan een bepaalde reuk optreden. Dit is normaal en verdwijnt na een poos.
- In het apparaat bevinden zich onder spanning staande onderdelen; open daarom NOOIT dit apparaat.
- Plaats geen metalen objecten en mors geen vloeistof in het effect. Dit kan leiden tot elektrische schokken of defecten.
- Toestel niet opstellen in de buurt van warmtebronnen zoals radiatoren etc. en niet op een vibrerende onder- grond plaats. Dek ventilatieopeningen nooit af.
- Het apparaat is niet geschikt voor continu gebruik.
- Wees voorzichtig met het netsnoer en beschadig deze niet. Als het snoer kapot of beschadigd is, kan dit leiden tot elektrische schokken of defecten.
- Als u de stekker uit het stopcontact neemt, trek dan niet aan het snoer, maar aan de stekker.
- Om brand of elektrische schok te voorkomen, dient u dit apparaat niet bloot te stellen aan regen of vocht.
- Verwijder of plaats een stekker nooit met natte handen resp. uit en in het stopcontact.
- Indien zowel de stekker en/of netsnoer als snoeringang in het apparaat beschadigd zijn dient dit door een vakman hersteld te worden.
- Indien het apparaat zo beschadigd is dat inwendige (onder)delen zichtbaar zijn mag de stekker NOOIT in het stopcontact worden geplaatst en het apparaat NOOIT worden ingeschakeld. Neem in dit geval contact op met de dealer.
- Sluit het apparaat nooit op een dimmer aan.
- Reparatie aan het apparaat dient te geschieden door een vakman of een deskundige.
- Sluit het apparaat alleen aan op een 220-240VAC / 50Hz (geaard) stopcontact, verbonden met een 10-16A meterkastgroep.
- Bij onweer altijd de stekker uit het stopcontact halen, zo ook wanneer het apparaat voor een langere tijd niet gebruikt wordt. Stelregel: Bij geen gebruik stekker verwijderen.
- Als u het apparaat lang niet gebruikt heeft en het weer wil gebruiken kan er condens ontstaan; laat het apparaat eerst op kamertemperatuur komen alvorens het weer in werking te stellen.
- Apparaat nooit in vochtige ruimten en buiten gebruiken.
- Om ongevallen in bedrijven te voorkomen moet rekening worden gehouden met de daarvoor geldende richtlijnen en moeten de aanwijzingen/waarschuwingen worden gevolgd.
- Het apparaat buiten bereik van kinderen houden. Bovendien mag het apparaat nooit onbeheerd gelaten worden.
- Gebruik geen schoonmaakspray om de schakelaars te reinigen. Restanten van deze spray zorgen ervoor dat smeer en stof ophopen. Raadpleeg bij storing te allen tijde een deskundige.
- Gebruik geen overmatige kracht bij het bedienen van het apparaat.
- Dit apparaat kan magnetisch veld veroorzaken. Houd dit apparaat ten minste 60 cm afstand van de computer of tv.
- Indien dit apparaat beschikt over een loodaccu, dient deze tenminste elke 3 maanden opgeladen te worden indien deze voor een langere periode niet wordt gebruikt anders bestaat de kans dat de accu permanent beschadigd.
- Bij een ongeval met dit product altijd eerst een deskundige raadplegen alvorens opnieuw te gebruiken.
- Tracht het apparaat niet schoon te maken met chemische oplossingen. Dit kan de lak beschadigen. Gebruik een droge doek om schoon te maken.
- Blijf uit de buurt van elektronische apparatuur die bromstoringen zouden kunnen veroorzaken.
- Bij reparatie dienen altijd originele onderdelen te worden gebruikt om onherstelbare beschadigingen en/of ontoelaatbare straling te voorkomen.
- Schakel eerst het toestel uit voordat u het netsnoer verwijdert. Verwijder netsnoer en aansluitsnoeren voordat u dit product gaat verplaatsen.
- Zorg ervoor dat het netsnoer niet beschadigd/defect kan raken wanneer mensen erover heen lopen. Het netsnoer vóór ieder gebruik controleren op breuken/defecten!
- In Nederland/België is de netspanning 220-240Vac/50Hz. Indien u reist (en u neemt het apparaat mee) informeer dan naar de netspanning in het land waar u verblijft.



Deze markering wordt weergegeven om u erop attent te maken dat een levensgevaarlijke spanning in het product aanwezig is en dat bij aanraking van deze delen een elektrische schok wordt verkregen.



Deze instructiemarkering wordt weergegeven om u erop te wijzen dat de instructie zeer belangrijk is om te lezen en/of op te volgen.

OPMERKING: Om zeker te zijn van een correcte werking, dient u dit apparaat in een ruimte te gebruiken waar de temperatuur tussen de 5°C/41°F en 35°C/95°F ligt.



Raadpleeg eventueel www.wecycle.nl en/of www.vrom.nl v.w.b. het afdanken van elektronische apparaten in het kader van de WEEE-regeling. Vele artikelen kunnen worden gerecycled, gooi ze daarom niet bij het huisvuil maar lever ze in bij een gemeentelijk depot of uw dealer. Lever ook afgedankte batterijen in bij uw gemeentelijk depot of bij de dealer, zie www.stibat.nl

Alle (defecte) artikelen dienen gedurende de garantieperiode altijd retour te worden gezonden in de originele verpakking. Voer zelf geen reparaties uit aan het toestel; in elk geval vervalt de totale garantie. Ook mag het toestel niet eigenmachtig worden gemodificeerd, ook in dit geval vervalt de totale garantie. Ook vervalt de garantie bij ongevallen en beschadigingen in elke vorm t.g.v. onoordeelkundig gebruik en het niet in acht nemen van het gestelde in deze gebruiksaanwijzing. Tevens aanvaardt Audizio geen enkele aansprakelijkheid in geval van persoonlijke ongelukken als gevolg van het niet naleven van veiligheidsinstructies en waarschuwingen. Dit geldt ook voor gevolgschade in welke vorm dan ook.

UITPAKKEN

LET OP! Pak na ontvangst de doos zorgvuldig uit. Controleer of alle onderdelen aanwezig- en in goede staat ontvangen zijn. Bij transportschade of bij het ontbreken van onderdelen onmiddellijk de verkopende partij inlichten. Bewaar de verpakking en het verpakkingsmateriaal. Indien het product moet worden teruggestuurd, is het belangrijk dat het product in originele verpakking wordt geretourneerd.

Schakel het apparaat niet onmiddellijk in als het apparaat is blootgesteld aan drastische temperatuurverschillen (bv. na het transport). De ontstane condensatie kan het apparaat beschadigen. Zorg ervoor dat het apparaat eerst op kamertemperatuur komt alvorens het aan te sluiten.

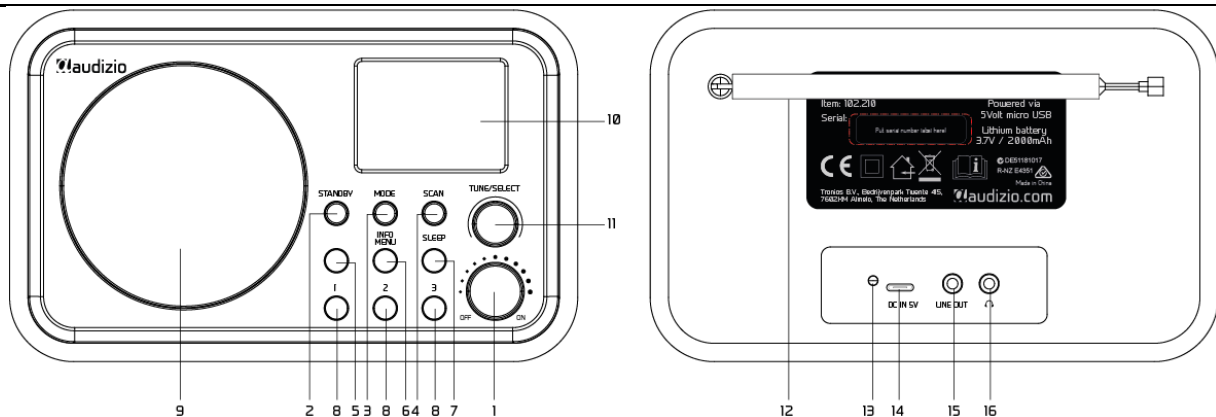
AANSLUITSPANNING

Op het label aan de achterzijde/onderzijde van het product staat aangegeven op welke netspanning deze moet worden aangesloten. Controleer of de netspanning hiermee overeenkomt. Bij alle andere netspanningen dan aangegeven kan het apparaat onherstelbaar worden beschadigd. Tevens moet het apparaat direct op de netspanning worden aangesloten en mag géén dimmer of regelbare voeding worden gebruikt.



Sluit het apparaat altijd aan op een beschermd circuit (aardlekschakelaar of zekering). Zorg ervoor dat het apparaat voldoende elektrisch is geaard om het risico op elektrocutie of brand te vermijden.

BEDIENING



- Aan-Uit / Volumeregeling**
Draai met de klok mee om de radio aan te zetten. Draai tegen de klok in om de radio uit te schakelen. Verhoog/verlaag het volume.
- Stand-by aan/uit**
- Modus**
Indrukken om te schakelen tussen DAB, FM en BT streaming.
- Scan**
DAB - Indrukken om een volledige scan uit te voeren.
FM - Indrukken om een volledige scan uit te voeren.
- ♥ (Vooraf ingesteld)**
Houd deze toets ingedrukt om de lijst met vooraf ingestelde opslagplaatsen te openen. Druk op om de preselectielijst op te roepen.
- Info/menu**
Houd de knop ingedrukt om naar het hoofdmenu te gaan, druk er kort op om door de informatie te bladeren die door het radiostation wordt uitgezonden.
- Slapen**
Indrukken om de keuze van de slaaptimer in te voeren.
- Vooraf ingestelde knop 1 / 2 / 3**
Speciale voorkeuzeknop nr. 1-3 ingedrukt houden om het kanaal voor te programmeren. Kort indrukken om op te roepen
- Luidspreker**
- 2.4" kleuren TFT-scherm**
- Stemmen / Selecteren**
Indrukken om te bevestigen. Draaien om door het item in de lijst te bladeren of om de radiofrequenties aan te passen. Drukken in FM modus om het volgende kanaal te zoeken.
- Telescopische antenne**
- Indicator voor het opladen van de batterij**
- DC IN 5V**
USB-C oplaadpoort.
- Lijn uit**
- Oortelefoonaansluiting**

AAN DE SLAG

De radio wordt gevoed door de ingebouwde lithiumbatterij. Voor het opladen van de batterij wordt een USB-kabel meegeleverd in het productpakket.

Zet de radio aan door de knop **<Power/ Volume>** met de klok mee te draaien. De radio wordt ingeschakeld en gaat in stand-by. Druk op de knop **<Standby>** om de radio in te schakelen.

Om hem in stand-by te zetten, drukt u op de **<Standby>** knop. Als u de radio wilt uitschakelen, draai dan de knop **<Power/Volume>** tegen de klok in totdat u de klik hoort en het scherm uit is.

OPLAADBARE BATTERIJ

Controleer altijd de batterij-indicator in de rechterbovenhoek van het scherm om de status van de batterij te zien.

Als de batterij bijna leeg is, is de batterij-indicator leeg en verschijnt er "Battery low" als herinnering om de batterij op te laden.

Om de batterij op te laden, sluit u de USB-C stekker aan op de poort aan de achterkant van de radio en sluit u het andere uiteinde aan op een voedingsbron die in 5V OUT wordt geleverd. De LED zal rood oplichten om aan te geven dat de batterij wordt opgeladen.

De LED zal groen worden wanneer het opladen klaar is.

Opmerking: Het opladen kan veel langer duren als de radio speelt of in stand-by staat tijdens het opladen.

BT AF SPELEN

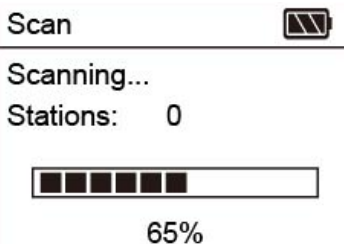
Voordat overdracht tussen uw BT-apparaat en de radio mogelijk is, moeten beide apparaten worden gekoppeld. Dit proces wordt "pairing" genoemd. De radio wordt gebruikt als een ontvanger, om de muziekstroom te ontvangen en af te spelen op de radio.

Als u al eerder hebt gekoppeld aan een BT-apparaat, wordt deze verbinding automatisch hersteld wanneer beide apparaten binnen bereik zijn en de BT-bediening is geselecteerd op de radio. De "Pairing" hoeft niet te worden herhaald. Deze functie moet echter wel worden geactiveerd in uw BT-apparaat.

- Druk op de toets Menu om het keuzemenu voor de verschillende bedrijfsmodi weer te geven.
- Gebruik de omhoog/omlaag-knop om de bedrijfsmodus BT te selecteren en druk op de draaischakelaar.
- Schakel uw BT-apparaat waarop u de radio wilt aansluiten in en activeer hier de koppelingsmodus. Het apparaat scant naar BT-apparaten in het ontvangstbereik.
- Wanneer de radio wordt gevonden, toont uw BT-apparaat zijn naam Audizio Milan.
- Selecteer de radio op uw BT-apparaat.
- Start het afspelen op uw BT-apparaat.
- Het afspelen vindt nu plaats met behulp van de radio.

DAB MODUS

Als dit de eerste keer is dat de radio wordt gebruikt, begint hij op DAB. Zo niet, druk dan op de **<MODE>** knop op de radio om over te schakelen naar de DAB-modus. De radio zal alle beschikbare radiostations als volgt gaan scannen:



De gescande zenderlijst wordt weergegeven nadat de scan is uitgevoerd. Gebruik de knop **<TUNE/SELECT>** om de radiozender te selecteren.

Wanneer een radiozender wordt afgespeeld en u wilt een andere zender kiezen om af te spelen, draait u aan de knop **<TUNE/SELECT>**. Druk herhaaldelijk op de knop **<INFO/MENU>** om door de radio-informatie te bladeren.

Opmerking: Pas altijd de lengte en de richting van de telescopische antenne aan om het beste ontvangstniveau te optimaliseren.

FM MODUS

Selecteer de FM-modus, druk **<SCAN>** om de automatische scan te starten. De radio zal de preset automatisch opslaan wanneer de scan klaar is.

Om de frequentie handmatig aan te passen, draait u de knop **<TUNE/ SELECT>** om de frequentie af te stemmen in de stap van 0.05MHz.

VOORKEUZEZENDER INSTELLEN

Uw radio kan tot 40 DAB-zenders en 40 FM-zenders opslaan in het voorgeprogrammeerde geheugen voor directe toegang tot uw favoriete zenders.

1. Stem uw radio af op de zender die u wilt instellen.
2. Houd de <♥> knop op de radio ingedrukt, hij zal de "Preset Store" lijst openen. Selecteer het preselectienummer dat u wilt opslaan met de knop <TUNE/SELECT>, druk op de knop <TUNE/SELECT> om te bevestigen. Het zal tonen dat het preselectienummer is opgeslagen.
3. Er zijn 3 preselectieknoppen op de radio. Het laat toe om snel een specifiek kanaal op te slaan en op te roepen. Houd de knop ingedrukt om het kanaal op te slaan.
4. U kunt de bestaande preset vervangen door een ander kanaal door dezelfde preset procedure te volgen als hierboven beschreven.

EEN VOORKEUZEZENDER OPROEPEN

Druk kort op de <♥> toets op het toestel, de vooraf ingestelde lijst verschijnt. Draai aan de knop <TUNE/SELECT> om de zender te vinden die u wilt beluisteren en druk vervolgens op de knop <TUNE/SELECT> om de zender op te roepen.

Als u de favoriete kanalen voor de voorkeuze knop 1-3 hebt ingesteld, hoeft u alleen maar op deze knoppen te drukken om ze snel op te roepen.

Let op:

1. Als er al een bestaande DAB- of FM-zender is opgeslagen onder een voorkeuzezender, wordt deze overschreven wanneer u een nieuwe zender opslaat.
2. De DAB-voorkeuzezenders zullen de FM-zendervoorkeuzezenders niet overschrijven.

HOOFDMENU VAN DAB MODUS

Wanneer u naar DAB-radiozenders luistert, houdt u <INFO/MENU> ingedrukt om het hoofdmenu als volgt te openen:

Menu	1/9
Scan	
Manual Tune	
Prune Invalid	▶
Sleep	▶▶
Time/Date	▶▶▶
Backlight	▶▶▶▶

Scan

Druk op om te scannen naar DAB-radiostations.

Manual tune

Druk op om de handmatige afstemming in te voeren, dan kunt u de frequentie kiezen van 5A tot 13F en handmatig een scan uitvoeren in de beschikbare frequentie.

Prune invalid

Het is mogelijk dat sommige DAB-diensten stoppen met uitzenden of dat u een zender niet kunt ontvangen. Selecteer "ja" om de DAB-zenders die niet meer kunnen worden ontvangen uit uw zenderlijst te verwijderen.

Sleep

Dit is de instelling voor de slaaptimer. De radio zal in stand-by gaan wanneer de tijd rijp is.

U kunt kiezen uit meerdere timer opties (slaaptijden).

Gebruik de knop <Tune/Select> om een keuze te maken en druk op <Tune/Select> om te bevestigen.

Als u de slaaptimerfunctie wilt annuleren, selecteert u "Off" in het menu.

Time/Date

Er zijn 5 instellingen:

1. Stel Tijd/Datum in: Hiermee kan de gebruiker de huidige tijd en datum handmatig instellen.
2. Stel uur notatie in: Deze optie zal het formaat van uw klok veranderen naar 12 uur of 24 uur.
3. Stel het datumformaat in: Deze optie verandert het formaat van de datum in DD/MM/JJJ of MM/DD/JJJ.
4. Kloktipe: Wijzig het kloktipe tussen analoog en digitaal.
5. Auto Update: Deze functie stelt de tijd en datum van de radio automatisch in met gegevens die worden meegestuurd met de uitzending van de FM- of DAB-radiozender. U kunt kiezen voor "No Update", dan zal de radio de tijdgegevens niet ontvangen.

Let op:

Het is mogelijk dat de FM auto Time/Date update niet werkt in uw omgeving, dus de DAB auto update optie wordt aanbevolen.

Backlight

Er zijn 3 helderheidsniveaus die u kunt kiezen: Hoog, Medium & Laag.

1. Time-out: Deze optie wordt gebruikt om de periode in te stellen waarin u wilt dat de achtergrondverlichting van uw display verlicht blijft wanneer uw radio gewoon speelt zonder dat er een handeling wordt verricht.

De beschikbare opties zijn: Uit /10sec /20sec /30sec /45sec /60sec /90sec /120sec /180sec.

Selecteer "Uit" om de achtergrondverlichting van uw radio continu aan te laten staan zonder dat deze dimt, ongeacht of deze in werking is of niet. Als u een bepaald tijdsinterval selecteert, zal het display na afloop van de geselecteerde tijdsperiode worden gedimd.

2. Level: Er zijn 3 niveaus te kiezen, High, Medium en Low. Deze optie bepaalt hoe helder de achtergrondverlichting van het display is als de radio in werking is.

Language

Er zijn meerdere talen beschikbaar voor het menu: Engels, Duits, Frans, Noors, Italiaans, Zweeds, Deens, Pools, Fins.

Factory reset

U kunt de radio op elk gewenst moment terugzetten naar de fabrieksinstelling. Zodra een reset is uitgevoerd, worden alle eerdere instellingen en voorinstellingen gewist en wordt de radio weer in de DAB-modus gezet.

SW Version

Druk op om de firmwareversie te bekijken.

Let op: als er geen bediening is binnen 10 seconden, zal de radio terugkeren naar de laatste afspeelmodus.

Opmerking: Om het laatste menuniveau te verlaten / terug te keren, drukt u op de toets <INFO/MENU>.

HOOFDMENU VAN DE FM-MODUS

Terwijl de radio in FM-modus staat, houdt u de toets <INFO/MENU> op de radio ingedrukt om het hoofdmenu te openen.

Scan setting

Er zijn twee soorten scans beschikbaar. De scan wordt uitgevoerd volgens "Sterk station" of "Alle station". Als "Sterke zender" is geselecteerd, worden alleen de kanalen met een sterk ontvangstsignaal gescand op de plaats waar de radio is geplaatst. Als "Alle zenders" is geselecteerd, wordt het zal zowel de sterke als de zwakke kanalen aftasten.

Audio setting

U kunt kiezen voor "Mono" of "Stereo". Als het signaal zwak is en stabiele stereo-ontvangst niet mogelijk is, kies dan voor "Mono" hebben een betere ontvangst. Wanneer een FM-zender wordt afgespeeld, drukt u op de toets <TUNE/SELECT> om de audio-instelling te wijzigen. Wanneer het verschijnt met, betekent dit dat het stereo is. Om Mono te selecteren, drukt u nogmaals op <TUNE/SELECT>. Het icoontje zal verdwijnen en het betekent dat Mono is geselecteerd.

System

De beschikbare opties zijn dezelfde als DAB (uitgezonderd "manual tune" en "prune invalid"). Zie het DAB-gedeelte zoals hierboven beschreven.

VRAAG & ANTWOORD

Als u problemen ondervindt met uw DAB-radio zijn er enkele snelle en eenvoudige controles die u kunt doen, wat kan helpen om het probleem op te lossen.

Radio gaat niet aan/werkt niet

- Sluit de USB-kabel aan om de batterij op te laden en probeer de radio weer aan te zetten.

Geen DAB-ontvangst

- Voer de "Factory Reset" uit op de radio en stel de lengte en richting van de antenne in.
- Verplaats de radio dicht bij het raam.
- Voer opnieuw volledig scannen uit vanuit het hoofdmenu (houd de knop Info/Menu ingedrukt).

Radio-ontvangst is slecht

- Pas de lengte en de richting van de antenne aan om de ontvangst te verbeteren.
- Controleer of u geen andere elektrische apparatuur te dicht bij uw radio hebt die storing veroorzaakt.

Geen geluid

- Stel het volume in.
- Verander andere radiokanalen en kijk of er geluid is. Het kan het probleem van de ontvangst zijn of het probleem van de uitzending dat er geen geluid is.

Vielen Dank für den Kauf dieses Audizios gerat. Nehmen Sie sich einen Augenblick Zeit, um diese Anleitung sorgfältig durchzulesen, damit sie die Möglichkeiten, die unser Produkt bietet, sofort voll ausnutzen können.

Lesen Sie erst die Anleitung vollständig vor der ersten Inbetriebnahme durch. Befolgen Sie die Anweisung, da sonst jeglicher Garantieanspruch verfällt. Treffen Sie stets alle Sicherheits-vorkehrungen um Feuer und/oder Stromschlag zu vermeiden. Reparaturen dürfen nur von qualifiziertem Fachpersonal ausgeführt werden, um Stromschlag zu vermeiden. Bewahren Sie diese Anleitung für spätere Bezugnahme auf.

- Bewahren Sie die Verpackung auf, um das Gerät im Bedarfsfall sicher transportieren zu können.
 - Bevor das Gerät in Betrieb genommen wird, muss es erst von einem Fachmann überprüft werden. Bei der ersten Benutzung kann etwas Geruch auftreten. Das ist normal und verschwindet nach einer Weile
 - Das Gerät enthält unter Spannung stehende Teile. Daher NIEMALS das Gehäuse öffnen.
 - Keine Metallgegenstände oder Flüssigkeiten ins Gerät dringen lassen. Sie können zu Stromschlag und Defekten führen.
 - Gerät nicht in der Nähe von Wärmequellen wie Heizkörpern aufstellen. Nicht auf eine vibrierende Oberfläche stellen. Niemals die Belüftungsschlitze abdecken.
 - Das Gerät ist nicht für Dauerbetrieb geeignet.
 - Gehen Sie vorsichtig mit dem Netzkabel um und beschädigen Sie es nicht. Eine beschädigte Netzschnur kann zu Stromschlag und Defekten führen.
 - Wenn Sie das Gerät vom Netz trennen, immer am Stecker ziehen, niemals an der Schnur.
 - Um Feuer und Stromschlag zu vermeiden, das Gerät vor Regen und Feuchtigkeit schützen.
 - Den Stecker nie mit nassen Händen in eine Netzsteckdose stecken oder abziehen.
 - Wenn sowohl der Stecker und/oder die Netzschnur bzw. der Kabeleintritt ins Gerät beschädigt sind, müssen sie von einem Fachmann repariert werden.
 - Wenn das Gerät so beschädigt ist, dass Innenteile sichtbar sind, darf der Stecker NICHT in eine Steckdose gesteckt werden und das Gerät darf NICHT eingeschaltet werden. Wenden Sie sich in dem Fall an Ihren Fachhändler. Das Gerät darf nicht an einen Dimmer angeschlossen werden.
 - Reparaturen dürfen nur von einem Fachmann oder Sachverständigen ausgeführt werden.
 - Das Gerät nur an eine geerdete 10-16A Netzsteckdose mit 220-240V AC/50Hz Spannung anschließen.
 - Bei Gewitter oder längerem Nichtgebrauch den Netzstecker abziehen. Die Regel gilt: Bei Nichtgebrauch Netzstecker abziehen.
 - Wenn das Gerät längere Zeit nicht benutzt wurde, kann sich Kondenswasser gebildet haben. Lassen Sie das Gerät erst auf Zimmertemperatur kommen, bevor Sie es einschalten.
- Das Gerät nicht in feuchten Räumen oder im Freien benutzen.
 - Um Unfällen in der Öffentlichkeit vorzubeugen, müssen die geltenden Richtlinien beachtet und die Anweisungen/Warnungen befolgt werden.
 - Niemals das Gerät kurz hintereinander ein- und ausschalten. Dadurch verkürzt sich die Lebensdauer erheblich.
 - Das Gerät außerhalb der Reichweite von Kindern halten. Das Gerät niemals unbeaufsichtigt lassen.
 - Die Regler nicht mit Reinigungssprays reinigen. Diese hinterlassen Rückstände, die zu Staub- und Fettansammlungen führen. Bei Störungen immer einen Fachmann um Rat fragen.
 - Das Gerät nur mit sauberen Händen bedienen.
 - Das Gerät nicht mit Gewalt bedienen.
 - Dieses Gerät kann dazu führen Magnetfeld. Halten Sie das Gerät mindestens 60 cm vom Computer oder Fernseher.
 - Wenn dieses Gerät eine Blei-Säure-Batterie hat, soll dies jede 3 Monate zumindest wieder aufgeladen werden, wenn es nicht für eine längere Zeit nicht benutzt wird, sonst ist es möglich, dass die Batterie dauerhaft beschädigt.
 - Fachmann um Rat fragen, bevor Sie es wieder einschalten.
 - Keine chemischen Reinigungsmittel benutzen, die den Lack beschädigen. Das Gerät nur mit einem trockenen Tuch abwischen.
 - Nicht in der Nähe von elektronischen Geräten benutzen, die Brummstörungen verursachen können.
 - Bei Reparaturen nur die Original-Ersatzteile verwenden, um starke Schäden und/oder gefährliche Strahlungen zu vermeiden.
 - Bevor Sie das Netz- und/oder Anschlusskabel abziehen, erst das Gerät ausschalten. Netz- und Anschlusskabel abziehen, bevor Sie das Gerät umstellen.
 - Sorgen Sie dafür, dass das Netzkabel nicht beschädigt werden kann, wenn Menschen darüber laufen. Das Netzkabel vor jedem Einsatz auf Brüche/Schadstellen überprüfen.
 - In Deutschland beträgt die Netzspannung 220-240V AC / 50Hz. Wenn Sie das Gerät auf Reisen mitnehmen, prüfen Sie, ob die örtliche Netzspannung den Anforderungen des Geräts entspricht.



Dieses Zeichen weist den Benutzer darauf hin, dass lebensgefährliche Spannungen im Gerät anliegen, die bei Berührung einen Stromschlag verursachen.



Dieses Zeichen lenkt die Aufmerksamkeit des Benutzers auf wichtige Hinweise in der Anleitung hin, die unbedingt eingehalten werden müssen.

HINWEIS: Um einen einwandfreien Betrieb zu gewährleisten, muss die Raumtemperatur zwischen 5° und 35°C liegen.



Tronios BV Registrierungsnummer : DE51181017 (ElektroG).

Dieses Produkt darf am Ende seiner Lebensdauer nicht über den normalen Haushaltsabfall entsorgt werden, sondern muss an einem Sammelpunkt für das Recycling abgegeben werden. Hiermit leisten Sie einen wichtigen Beitrag zum Schutze unserer Umwelt.

Tronios BV Registrierungsnummer : 21003000 (BatterieG).

Lithiumbatterien und Akkupacks sollten nur im entladenen Zustand in die Altbatteriesammelgefäße bei Handel und bei öffentlich-rechtlichen Entsorgungsträgern gegeben werden. Bei nicht vollständig entladenen Batterien Vorsorge gegen Kurzschluß treffen durch Isolieren der Pole mit Klebestreifen. Der Endnutzer ist zur Rückgabe von Altbatterien gesetzlich verpflichtet.

Reparieren Sie das Gerät niemals selbst und nehmen Sie niemals eigenmächtig Veränderungen am Gerät vor. Sie verlieren dadurch den Garantieanspruch. Der Garantieanspruch verfällt ebenfalls bei Unfällen und Schäden in jeglicher Form, die durch unsachgemäßen Gebrauch und Nichtbeachtung der Warnungen und Sicherheitshinweise in dieser Anleitung entstanden sind. Audizio ist in keinem Fall verantwortlich für persönliche Schäden in Folge von Nichtbeachtung der Sicherheitsvorschriften und Warnungen. Dies gilt auch für Folgeschäden jeglicher Form.

AUSPACKEN

Packen Sie das Gerät sofort nach Empfang aus und prüfen Sie den Inhalt. Wenn Teile fehlen oder beschädigt sind, benachrichtigen Sie sofort den Spediteur und bewahren Sie die Verpackung auf. Falls ein Gerät ins Werk zurückgeschickt werden muss, ist es wichtig, dass es in der Originalverpackung versandt wird.

Das Gerät darf nicht in Betrieb genommen werden, nachdem es von einem kalten in einen warmen Raum gebracht wurde. Das dabei entstehende Kondenswasser kann unter Umständen Ihr Gerät zerstören. Lassen Sie das Gerät solange ausgeschaltet, bis es Zimmertemperatur erreicht hat!

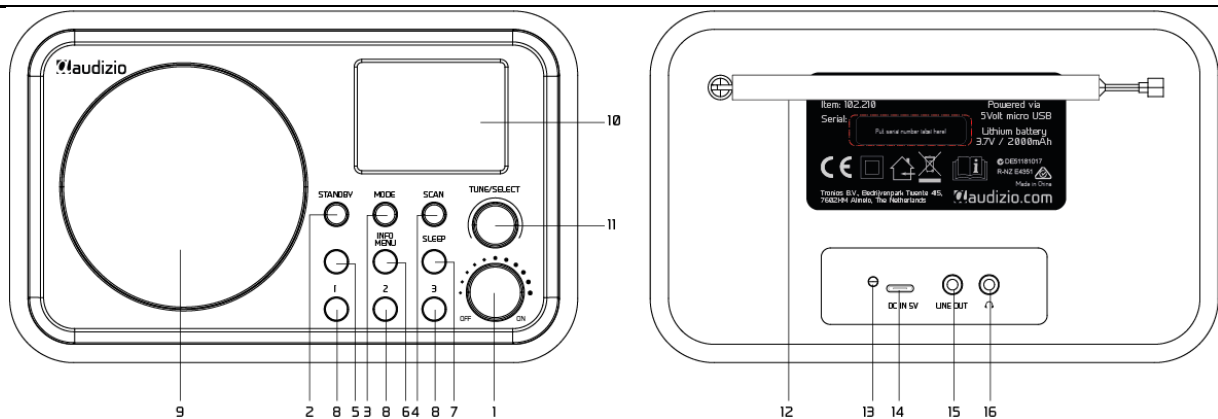
NETZANSCHLUSS

Die benötigte Versorgungsspannung steht auf dem Typenschild auf der Rückseite des Geräts. Die angegebenen Stromwerte entsprechen einem Durchschnittswert bei normalem Betrieb. Alle Geräte müssen direkt ans Netz angeschlossen werden und dürfen nicht über Dimmerpacks geschaltet werden. Bevor Sie eine Spannung anlegen, prüfen Sie, ob der Wert der zulässigen Spannung entspricht.



Verbinden Sie immer das Gerät an einem geschützten Schaltkreis (Leistungsschalter oder Sicherung). Stellen Sie sicher, das Gerät ist elektrisch geerdet, um das Risiko eines Stromschlags oder Feuer zu vermeiden.

BEDIENUNG



1. Leistungs-/Lautstärkeregelung

Drehen Sie das Gerät im Uhrzeigersinn, um es einzuschalten. Gegen den Uhrzeigersinn drehen, um das Gerät auszuschalten. Lautstärkepegel erhöhen / verringern.

2. Standby ein/aus

3. Modus

Drücken zum Schalten zwischen DAB, FM und BT streaming.

4. Scan

DAB - Drücken Sie zum vollständigen Scan.

FM - Drücken Sie zum vollständigen Scan.

5. ♥ (Voreingestellt)

Halten Sie die Taste gedrückt, um die Liste der Voreinstellungsspeicher aufzurufen. Drücken Sie auf, um die Voreinstellungsliste aufzurufen.

6. Info/Menü

Halten Sie die Taste gedrückt, um das Hauptmenü aufzurufen, drücken Sie sie kurz, um durch die vom Radiosender gesendeten Informationen zu blättern.

7. Schlafen

Drücken Sie auf, um die Auswahl des Sleep-Timers aufzurufen.

8. Voreingestellte Taste 1 / 2 / 3

Dedizierte Voreinstellungstaste Nr. 1-3 Zum Voreinstellen des Kanals gedrückt halten. Zum Aufrufen kurz drücken.

9. Lautsprecher

10. 4"-Farb-TFT-Bildschirm

11. Abstimmen/Auswählen

Drücken Sie zur Bestätigung/Drehung des Knopfes, um das Element aus der Liste zu durchsuchen oder die Radiofrequenzen einzustellen. In FM-Modus drücken, um das nächste Station zu suchen.

12. Teleskopische Antenne

13. Batterieladeanzeige

14. DC IN 5V

USB-C Ladeanschluss.

15. Linie aus

16. Kopfhörerbuchse

ERSTE STARTUNGEN

Das Funkgerät wird von der eingebauten Lithiumbatterie gespeist. Zum Aufladen des Akkus wird ein USB-Kabel in der Produktverpackung mitgeliefert.

Schalten Sie das Radio ein, indem Sie den Knopf **<Power/Volume>** im Uhrzeigersinn drehen. Das Radio wird eingeschaltet und in den Standby-Modus versetzt. Drücken Sie den Knopf **<Standby>**, um es einzuschalten.

Um es in den Standby-Modus zu schalten, drücken Sie den Knopf **<Standby>**. Wenn Sie das Radio ausschalten möchten, drehen Sie den Knopf **<Power/Volume>** gegen den Uhrzeigersinn, bis Sie das Klicken hören und der Bildschirm ausgeschaltet ist.

BATTERIE AUFLADEN

Überprüfen Sie immer die Batterieanzeige in der oberen rechten Ecke des Bildschirms, um den Batteriestatus zu sehen.

Wenn die Akkuladung schwach ist, ist die Batterieanzeige leer und "Battery low" erscheint als Erinnerung, die Batterie zu laden.

Um den Akku aufzuladen, schließen Sie den USB-C Stecker an den Anschluss an der Rückseite des Radios an und verbinden Sie das andere Ende mit einer Stromquelle, die über 5V OUT versorgt wird. Die LED leuchtet rot auf, wenn der Akku geladen wird.

Wenn der Ladevorgang abgeschlossen ist, leuchtet die LED grün.

Hinweis: Der Ladevorgang kann viel länger dauern, wenn das Funkgerät während des Ladevorgangs abgespielt wird oder sich im Standby-Modus befindet.

BT WIEDERGABE

Bevor eine Übertragung zwischen Ihrem BT-Gerät und dem Funkgerät möglich ist, müssen beide Geräte gekoppelt werden. Dieser Vorgang wird als "Pairing" bezeichnet. Das Radio dient als Empfänger, um den Musikstrom für die Wiedergabe im Radio zu empfangen.

Wenn Sie schon einmal mit einem BT-Gerät gekoppelt haben, wird diese Verbindung automatisch wiederhergestellt, wenn beide Geräte in Reichweite sind und der BT-Betrieb am Radio ausgewählt wurde. Das "Pairing" muss nicht wiederholt werden. Diese Funktion

muss jedoch möglicherweise in Ihrem BT-Gerät aktiviert werden.

- Drücken Sie die Menü-Taste, um das Auswahlmü für die verschiedenen Betriebsarten anzuzeigen.
- Wählen Sie mit der Auf-/Ab-Taste die Betriebsart BT und drücken Sie den Wahlschalter.
- Schalten Sie Ihr BT-Gerät, an das Sie das Funkgerät anschließen möchten, ein und aktivieren Sie hier den Kopplungsmodus. Das Gerät sucht im Empfangsbereich nach BT-Geräten.
- Wenn das Funkgerät gefunden wird, zeigt Ihr BT-Gerät seinen Namen Audizio Milan.
- Wählen Sie das Funkgerät an Ihrem BT-Gerät aus.
- Starten Sie die Wiedergabe auf Ihrem BT-Gerät.
- Die Wiedergabe erfolgt nun über das Radio.

DAB MODUS

Wenn Sie das Radio zum ersten Mal benutzen, wird es über DAB gestartet. Wenn nicht, drücken Sie die Taste **<MODE>** am Radio, um in den DAB-Modus zu wechseln. Das Radio beginnt wie folgt mit dem Scannen aller verfügbaren Radiosender:

Scan 

Scanning...

Stations: 0



65%

Die gescannte Senderliste wird nach Abschluss des Scans angezeigt. Verwenden Sie den Knopf **<TUNE/SELECT>**, um den Radiosender auszuwählen. Wenn ein Radiosender läuft und Sie andere Sender auswählen möchten, drehen Sie den **<TUNE/SELECT>**-Knopf.

Drücken Sie den Knopf **<INFO/MENU>** wiederholt, um durch die Radioinformationen zu blättern.

Hinweis: Stellen Sie immer die Länge und Richtung der Teleskopantenne ein, um den besten Empfangspegel zu optimieren.

FM MODUS

Wählen Sie den FM-Modus, drücken Sie **<SCAN>**, um den automatischen Scan zu starten. Das Radio speichert die Voreinstellung automatisch, wenn der Suchlauf abgeschlossen ist.

Um die Frequenz manuell einzustellen, drehen Sie den Drehregler <TUNE/ SELECT>, um die Frequenz in Schritten von 0,05MHz abzustimmen.

EINEN SENDER VOREINSTELLEN

Ihr Radio kann bis zu 40 DAB-Sender und 40 FM-Sender in seinen voreingestellten Speichern speichern, damit Sie sofort auf Ihre Lieblingssender zugreifen können.

1. Stellen Sie Ihr Radio auf den Sender ein, den Sie voreinstellen möchten.
2. Halten Sie die Taste <♥> auf dem Radio gedrückt, um in die Liste "Preset Store" zu gelangen. Wählen Sie mit dem Knopf <TUNE/SELECT> die Preset-Nummer, die Sie speichern möchten, und drücken Sie den Knopf <TUNE/SELECT> zur Bestätigung. Daraufhin wird angezeigt, dass die Preset-Nummer gespeichert ist.
3. Das Radio verfügt über 3 Preset-Tasten. Sie ermöglichen das schnelle Speichern und Abrufen eines bestimmten Kanals. Halten Sie die Taste gedrückt, um den Kanal zu speichern.
4. Sie können die vorhandene Voreinstellung durch einen anderen Kanal ersetzen, indem Sie die gleiche Voreinstellungsprozedur wie oben beschrieben durchführen.

AUFRUFEN EINES SENDERSTREIFERS

Drücken Sie kurz auf die Taste <♥> am Gerät, die Voreinstellungsliste wird eingeblendet. Drehen Sie den Drehknopf <TUNE/SELECT>, um den gewünschten Sender zu finden, und drücken Sie dann den Drehknopf <TUNE/SELECT>, um den Sender aufzurufen.

Wenn Sie die Lieblingssender für die Voreinstellungstasten 1-3 voreingestellt haben, drücken Sie einfach diese Tasten, um sie schnell aufzurufen.

Hinweis:

1. Wenn unter einer Voreinstellung bereits ein bestehender DAB- oder FM-Sender gespeichert ist, wird dieser beim Speichern eines neuen Senders überschrieben.
2. Die DAB-Voreinstellungen überschreiben nicht die FM-Sendervoreinstellungen.

HAUPTMENÜ DES DAB MODUS

Wenn Sie einen DAB-Radiosender hören, halten Sie die Taste <INFO/MENU> gedrückt, um wie folgt in das Hauptmenü zu gelangen:

Menu	1/9
Scan	
Manual Tune	
Prune Invalid	▶
Sleep	▶▶
Time/Date	▶▶▶
Backlight	▶▶▶▶

Scan

Drücken Sie, um nach DAB-Radiosendern zu suchen.

Manual Tune

Drücken Sie auf, um die manuelle Abstimmung einzugeben, dann können Sie die Frequenz von 5A bis 13F wählen und einen Scan in der verfügbaren Frequenz manuell durchführen.

Prune Invalid

Einige DAB-Dienste hören möglicherweise auf zu senden oder Sie können einen Sender nicht empfangen. Wählen Sie "ja", um die DAB-Sender aus Ihrer Senderliste zu löschen, die nicht mehr empfangen werden können.

Sleep

Dies ist die Einstellung für den Sleep-Timer. Das Radio schaltet sich in den Standby-Modus, wenn die Zeit fällig ist.

Es sind mehrere Timer-Optionen verfügbar.

Wählen Sie mit dem Knopf <Tune/Select> und drücken Sie <Tune/Select> zur Bestätigung.

Wenn Sie die Sleep-Timer-Funktion abbrechen möchten, wählen Sie im Menü "Aus".

Time/Date

Es gibt 5 Einstellungen:

1. Zeit/Datum einstellen: Hiermit kann der Benutzer die aktuelle Zeit und das Datum manuell einstellen.
2. 12/24 Stunde einstellen: Diese Option ändert das Format Ihrer Uhr entweder auf das 12-Stunden- oder das 24-Stunden-Format.
3. Datumsformat einstellen: Mit dieser Option wird das Datumsformat auf TT/MM/JJJJJ oder MM/TT/JJJJJ geändert.
4. Uhrentyp: Ändern Sie den Uhrentyp zwischen analog und digital.
5. Automatische Aktualisierung: Diese Funktion stellt die Zeit und das Datum des Radios automatisch ein, wobei die Daten zusammen mit der Sendung entweder des UKW- oder des DAB-Radiosenders gesendet werden. Sie können "Keine Aktualisierung" wählen, dann empfängt das Radio die Zeitdaten nicht.

Hinweis:

Die automatische FM-Zeit/Datum-Aktualisierung funktioniert in Ihrem Gebiet möglicherweise nicht, daher wird die automatische DAB-Aktualisierungsoption empfohlen.

Backlight

Es gibt 3 Helligkeitsstufen, die Sie wählen können: Hoch, Mittel und Niedrig.

1. **Zeitüberschreitung:** Mit dieser Option können Sie einstellen, wie lange die Hintergrundbeleuchtung Ihres Displays eingeschaltet bleiben soll, wenn Ihr Radio gerade spielt, ohne dass eine Bedienung erfolgt.
Die verfügbaren Optionen sind: Aus /10sek /20sek /30sek /45sek /60sek /90sek /120sek /180sek.

Wenn Sie "Aus" wählen, bleibt die Hintergrundbeleuchtung Ihres Radios konstant eingeschaltet, ohne dass sie heruntergedimmt wird, egal ob während des Betriebs oder im Leerlauf. Wenn Sie ein bestimmtes Zeitintervall wählen, wird das Display nach Ablauf der gewählten Zeitspanne abgedunkelt.

2. **Level:** Es stehen 3 Stufen zur Auswahl: Hoch, Mittel und Niedrig. Diese Option bestimmt, wie hell die Hintergrundbeleuchtung des Displays bei Betrieb des Radios beleuchtet wird.

Language

Das Menü ist in mehreren Sprachen verfügbar: Englisch, Deutsch, Französisch, Norwegisch, Italienisch, Schwedisch, Dänisch, Polnisch, Finnisch.

Factory reset

Sie können das Radio jederzeit auf die Werkseinstellungen zurücksetzen. Sobald ein Reset durchgeführt wurde, werden alle vorherigen Einstellungen und Voreinstellungen gelöscht und das Radio geht wieder in den DAB-Modus.

SW Version

Drücken Sie auf, um die Firmware-Version anzuzeigen.

Bitte beachten Sie, dass das Radio zum letzten Abspielmodus zurückkehrt, wenn 10 Sekunden lang keine Bedienung erfolgt.

Hinweis: Um die letzte Menüebene zu verlassen/zurück zur letzten Menüebene zu gelangen, drücken Sie die Taste **<INFO/MENU>**.

HAUPTMENÜ DES FM-MODUS

Während sich das Radio im FM-Modus befindet, drücken und halten Sie die Taste **<INFO/MENU>** am Radio, um in das Hauptmenü zu gelangen.

Scan setting

Es stehen zwei Arten von Scans zur Verfügung. Der Scan wird nach "Starke Station" oder "Alle Station" durchgeführt. Wenn "Starker Sender" gewählt wird, werden nur die Kanäle mit starkem Empfangssignal gescannt, auf denen sich das Radio befindet. Wenn "Alle Sender" gewählt wird, wird es sowohl den starken als auch den schwachen Kanal absuchen.

Audio setting

Sie können zwischen "Mono" oder "Stereo" wählen. Wenn das Signal schwach ist und kein stabiler Stereoempfang möglich ist, wählen Sie "Mono", um einen besseren Empfang zu erhalten. Wenn ein FM-Sender wiedergegeben wird, drücken Sie die Taste **<TUNE/SELECT>**, auf die Sie zugreifen können, um die Audioeinstellung zu ändern. Wenn sie mit erscheint, bedeutet dies, dass es sich um Stereo handelt. Um Mono zu wählen, drücken Sie erneut die Taste **<TUNE/SELECT>**. Das Symbol verschwindet, und es bedeutet, dass Mono gewählt ist.

System

Die verfügbaren Optionen sind dieselben wie bei DAB (mit Ausnahme von "Manual tune" und "Prune invalid"). Bitte beachten Sie den Abschnitt DAB wie oben beschrieben.

FRAGEN UND ANTWORTEN

Wenn Sie Probleme mit Ihrem DAB-Radio haben, gibt es einige schnelle und einfache Überprüfungen, die Sie durchführen können und die helfen können, das Problem zu lösen.

Radio schaltet sich nicht ein/arbeitet nicht

- Schließen Sie das USB-Kabel an, um den Akku aufzuladen, und versuchen Sie, das Radio erneut einzuschalten.

Kein DAB-Empfang

- Bitte führen Sie einen "Factory Reset" am Radio durch und stellen Sie die Länge und Richtung der Antenne ein.
- Bringen Sie das Radio in die Nähe des Fensters.
- Führen Sie den Full Scan erneut vom Hauptmenü aus durch (Drücken und halten Sie die Info/Menü-Taste gedrückt).

Der Radioempfang ist schlecht

- Bitte passen Sie die Länge und Richtung der Antenne an, um den Empfang zu verbessern.
- Vergewissern Sie sich, dass sich keine anderen elektrischen Geräte zu nahe an Ihrem Radio befinden, die Störungen verursachen könnten.

Kein Ton

- Stellen Sie den Lautstärkepegel ein.
- Bitte wechseln Sie andere Radiokanäle und schauen Sie nach, ob es Ton gibt. Es könnte ein Empfangsproblem oder ein Übertragungsproblem sein, das keinen Ton hat.

Felicitaciones a la compra de este producto Audizio. Por favor lea atentamente este manual antes de usar el aparato para disfrutar al completo de sus prestaciones.

Seguir las instrucciones le permite no invalidar la garantía. Tome todas las precauciones para evitar que se produzca fuego o una descarga eléctrica. Las reparaciones solo deben llevarse a cabo por técnicos cualificados para evitar descargas eléctricas. Guarde el manual para futuras consultas.

sentirse cierto olor. Esto es normal y desaparece al poco tiempo.

- Este aparato contiene piezas que llevan voltaje. Por lo tanto NO abra la carcasa.
- No coloque objetos metálicos o vierta líquidos dentro del aparato. Podría producir descargas eléctricas y fallos en el funcionamiento.
- No coloque el aparato cerca de fuentes de calor tipo radiadores, etc. No coloque el aparato en superficies vibratorias. No tape los agujeros de ventilación.
- Este aparato no está preparado para un uso continuado.
- Tenga cuidado con el cable de alimentación y no lo dañe. Un daño o defecto en el cable de alimentación puede producir una descarga eléctrica o fallo en el funcionamiento.
- Cuando desconecte el aparato de la toma de corriente, siempre tire de la clavija, nunca del cable.
- No enchufe o desenchufe el aparato con las manos mojadas.
- Si la clavija y/o el cable de alimentación están dañados, necesitan reemplazarse por un técnico cualificado.
- Si el aparato está dañado de modo que puedan verse sus partes internas, NO conecte el aparato a la toma de corriente y NO lo encienda. Contacte con su distribuidor. NO conecte el aparato a un reostato o dimmer.
- Para evitar un fuego o peligro de descarga, no exponga el aparato a la lluvia y a la humedad.
- Todas las reparaciones deben llevarse a cabo exclusivamente por técnicos cualificados.
- Conecte el aparato a una toma de corriente con toma de tierra (220-240Vca/50Hz) protegida por un fusible de 10-16A.
- Durante una tormenta o si el aparato no va a usarse durante un periodo largo de tiempo, desconéctelo de la toma de corriente. La regla es: Desconéctelo si no lo va a usar.
- Si el aparato no se ha usado en mucho tiempo puede producirse condensación. Deje el aparato a temperatura ambiente antes de encenderlo. Nunca utilice el aparato en ambientes húmedos o en el exterior.
- Para prevenir accidentes en las empresas, debe seguir las directrices aplicables y seguir las instrucciones.
- No lo apague y encienda repetidamente. Esto acorta su tiempo de vida.
- Mantenga el aparato fuera del alcance de los niños. No deje el aparato sin vigilancia.
- No utilice sprays limpiadores para limpiar los interruptores. Los residuos de estos sprays producen depósitos de polvo y grasa. En caso de mal funcionamiento, siempre consulte a un profesional.
- No fuerce los controles.
- Si el aparato se ha caído, siempre haga que lo verifique un técnico cualificado antes de encenderlo otra vez.
- NO utilice productos químicos para limpiar el aparato. Dañan el barniz. Tan solo límpielo con un trapo seco.
- Manténgalo lejos de equipos electrónicos ya que pueden producir interferencias.
- Si este producto incorpora una batería recargable con base ácida, por favor recargue batería cada 3 meses si no va a usar la unidad por un tiempo prolongado. En caso contrario la batería podría dañarse.
- Solo utilice recambios originales para las reparaciones, de otro modo pueden producirse daños serios y/o radiaciones peligrosas.
- Apague el aparato antes de desconectarlo de la toma de corriente y/o de otros equipos. Desconecte todos los cables y conexiones antes de mover el aparato.
- Asegúrese de que el cable de alimentación no puede dañarse cuando la gente lo pise. Compruebe el cable de alimentación antes de cada uso por si hay daños o defectos.
- El voltaje de funcionamiento es 220-240Vca/50Hz. Compruebe que la toma de corriente coincide. Si tiene que viajar, asegúrese de que el voltaje del país es el adecuado para este aparato.
- Guarde el embalaje original para poder transportar el aparato en condiciones seguras.



Esta señal advierte al usuario de la presencia de alto voltaje en el interior de la carcasa y que es de la suficiente magnitud como para producir una descarga eléctrica.



Esta señal advierte al usuario de que el manual contiene instrucciones importantes que han de leerse y seguirse al pie de la letra.

NOTA: Para asegurarse de que el aparato funcione correctamente, debe usarse en ambientes a una temperatura de entre 5°C/41°F y 35°C/95°F.



Los productos electrónicos no pueden tirarse a la basura normal. Por favor lleve este producto a un centro de reciclaje. Pregunte a la autoridad local en caso de duda. Las especificaciones son generales. Los valores actuales pueden variar de una unidad a otra. Las especificaciones pueden variar sin previo aviso.

Nunca intente reparar usted mismo este equipo. Esta manipulación anulará la garantía. No realice cambios en la unidad. Esta manipulación anulará la garantía. Esta garantía no es aplicable en caso de accidente o daños ocasionados por uso indebido del aparato o mal uso del mismo. Audizio no se hace responsable de daños personales causados por el no seguimiento de las normas e instrucciones de este manual. Esto es aplicable también a los daños de cualquier tipo.

INSTRUCCIONES DE DESEMBALAJE

ATENCIÓN! Inmediatamente después de recibir un dispositivo, desempaqué cuidadosamente la caja de cartón, compruebe el contenido para asegurarse de que todas las partes están presentes, y se han recibido en buenas condiciones. Notifique inmediatamente al transportista y conserve el material de embalaje para la inspección por si aparecen daños causados por el transporte o el propio envase muestra signos de mal manejo. Guarde el paquete y todos los materiales de embalaje. En el caso de que deba ser devuelto a la fábrica, es importante que el aparato sea devuelto en la caja de la fábrica y embalaje originales.

Si el aparato ha estado expuesto a grandes cambios de temperatura (tras el transporte), no lo enchufe inmediatamente. La condensación de agua producida podría dañar su aparato. Deje el dispositivo apagado hasta que se haya alcanzado la temperatura ambiente.

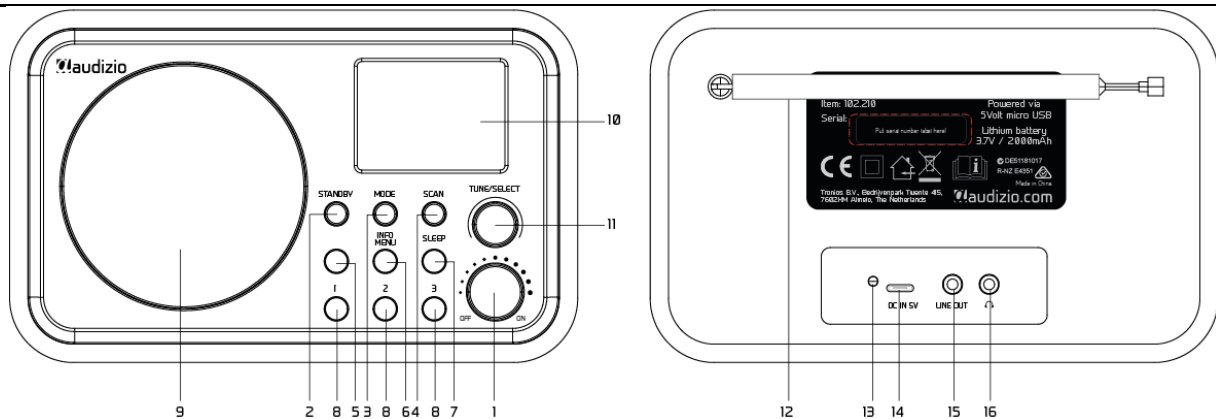
FUENTE DE ALIMENTACIÓN

En la etiqueta de la parte trasera del controlador se indica el tipo de fuente de alimentación que debe ser conectado. Compruebe que la tensión de red corresponda a esto, todos los otros voltajes a la especificada, puede causar efectos irreparable. El producto también debe estar conectado directamente a la red para ser utilizado. No en ninguna fuente de alimentación o dimmer ajustable.



Conecte siempre el producto a un circuito protegido (disyuntor o fusible). Asegúrese de que el producto tiene una toma de tierra adecuada para evitar el riesgo de electrocución o incendio.

CONTROL



- 1. Power / Control de Volumen**
Gire en sentido horario para encender la radio. Gire en sentido antihorario para apagar. Aumenta / disminuye el nivel de volumen.
- 2. Standby on /off**
- 3. Modo**
Alterne para cambiar entre DAB, FM y BT.
- 4. Scan**
DAB - Presione para escanear completamente.
FM - Presione para escanear completamente.
- 5. ♥ (Preset)**
Mantenga presionado para ingresar a la lista de emisoras preestablecidas. Presione para recuperar la lista de preajustes .
- 6. Info/Menu**
Mantenga presionado el botón para ingresar al menú principal, púselo brevemente para recorrer la información transmitida por la emisora de radio.
- 7. Sleep**
Presione para ingresar a la selección del temporizador de apagado.
- 8. Preset button 1 / 2 / 3**
Botón de preajuste dedicado no. 1-3 Mantenga presionado para preestablecido t que canalizar. Presione brevemente para recuperar.
- 9. Altavoz**
- 10. Pantalla TFT a color de 2.4"**
- 11. Tune / Select**
Presione para confirmar / girar la perilla para examinar el elemento de la lista o ajustar las frecuencias de radio. En modo FM: pulse para buscar la siguiente emisora.
- 12. Antena Telescopica**
- 13. Indicador de carga de batería**
- 14. DC IN 5V**
Puerto de carga USB-C.
- 15. Salida de linea**
- 16. Jack para auriculares**

EMPEZANDO

La radio funciona con la batería de litio incorporada. Se suministra un cable USB para cargar la batería.

Encienda la radio girando la perilla <Power / Volume> en el sentido de las agujas del reloj. La radio se encenderá y entrará en modo de espera.

Para entrar en modo de espera, presione el botón < Modo de espera > Si desea apagar la radio, gire la perilla <Power / Volume> en sentido antihorario hasta que escuche el clic y la pantalla se apague.

CARGANDO LA BATERÍA

Siempre verifique el indicador de batería en la esquina superior derecha de la pantalla para ver el estado de la batería.

Cuando la carga de la batería es baja, el indicador de batería estará en blanco y aparecerá "Battery low" como recordatorio de que debes cargar la batería.

Para cargar la batería, conecte el enchufe USB-C al puerto en el lado posterior, conectar el otro extremo a una fuente de alimentación suministrado en 5V OUT. El LED se iluminará en rojo indica que la batería se está cargando.

El LED se iluminará en verde cuando finalice la carga.

Nota: La carga puede tardar mucho más en completarse si la radio está en reproducción o en espera mientras se carga.

REPRODUCCIÓN BT

Antes de la transmisión entre el dispositivo BT y la radio sea posible, ambos dispositivos deben acoplarse. Este proceso se llama "emparejamiento". La radio se sirve como un receptor, para recibir transmisión de música para reproducir en la radio.

Si ya se ha conectado a un dispositivo BT anteriormente, esta conexión se restablecerá automáticamente cuando ambos dispositivos estén dentro del alcance y se haya seleccionado la operación BT en la radio. El "emparejamiento" no tiene que repetirse.

Sin embargo, es posible que deba activarse en su dispositivo BT.

- Presione el botón Menú para mostrar el menú de selección para los diferentes modos de operación.
- Use el botón arriba / abajo para seleccionar el modo de funcionamiento BT y presione el interruptor de Dial.
- Encienda su dispositivo BT al que desea conectar la radio y active el modo de emparejamiento aquí. Buscará dispositivos BT en el rango de recepción.
- Cuando se encuentra la radio, su dispositivo BT muestra su nombre Audizio Milan.
- Seleccione la radio en su dispositivo BT.
- Inicie la reproducción en su dispositivo BT.
- La reproducción ahora se realiza utilizando la radio

MODO DAB

Si es la primera vez que usa la radio, comenzará en DAB. De lo contrario, presione el botón <MODE> en la radio para cambiar al modo DAB. La radio comenzará a explorar todas las estaciones de radio disponibles a continuación:

Scan 

Scanning...

Stations: 0



65%

La lista de emisoras escaneadas se mostrará una vez que se haya realizado el escaneo. Use el mando <TUNE / SELECT> para seleccionar la emisora de radio.

Cuando se está reproduciendo una emisora de radio y desea elegir otras para reproducir, gire el mando <TUNE / SELECT>.

Presione el botón <INFO / MENU> varias veces para mostrar la información de la radio.

Nota: Ajuste siempre la longitud y la dirección de la antena telescópica a para optimizar el mejor nivel de recepción.

MODO FM

Seleccione el modo FM, pulse <SCAN> para iniciar la exploración automática. La radio almacenará el preajuste automáticamente cuando finalice la exploración.

Para ajustar manualmente la frecuencia, gire la perilla <TUNE / SELECT> para sintonizar la frecuencia en el paso de 0.05MHz.

PRESINTONIZAR UNA EMISORA

Su radio puede almacenar hasta 40 emisoras DAB y 40 emisoras FM en sus memorias preestablecidas para acceder instantáneamente a sus emisoras favoritas.

1. Sintonice su radio a la emisora que desea presintonizar.
2. Presione prolongadamente <♥> en la radio, entrará en la lista "Preset ". Seleccione el número de preajuste que desea guardar con el botón <TUNE / SELECT>, presione el botón <TUNE / SELECT> para confirmar. Mostrará que el número predeterminado está guardado.
3. Hay 3 botones preestablecidos en la radio. Permite guardar y recuperar rápidamente un canal dedicado. Mantenga presionado el botón para almacenar el canal.
4. Puede reemplazar el preajuste existente con otro canal realizando el mismo procedimiento de preajuste que el descrito anteriormente.

RECUERDA UNA EMISORA PRESINTONIZADA

Presione brevemente el botón < > en la unidad, aparecerá la lista de presets. Gire la perilla <TUNE / SELECT> para encontrar la emisora que desea escuchar, luego presione la perilla <TUNE / SELECT> para recuperar la emisora.

Si ha preestablecido los canales favoritos para el botón Preset 1-3, simplemente presione estos botones para acceder a ellos rápidamente.

Nota:

1. Si ya hay una estación DAB o FM existente almacenada bajo un preset, se sobrescribirá cuando guarde una nueva estación.
2. Los preajustes de DAB no sobrescribirán los preajustes de la estación de FM.

MENÚ PRINCIPAL DE MODO DAB

Cuando escuche la emisora de radio DAB, mantenga presionado <INFO / MENU> para ingresar al menú principal de la siguiente manera:

Menu	1/9
Scan	
Manual Tune	
Prune Invalid	▶
Sleep	▶
Time/Date	▶
Backlight	▶

Análisis (scan)

Presione para buscar estaciones de radio DAB.

Sintonización manual (manual tune)

Presione para ingresar la frecuencia manual, luego puede elegir la frecuencia de 5A a 13F y realizar un escaneo en la frecuencia disponible manualmente.

Prune invalid

Algunos servicios de DAB pueden dejar de transmitir o es posible que no pueda recibir una emisora. Seleccione "sí" para eliminar las emisoras DAB de su lista de emisoras que ya no se pueden recibir.

Sleep

Esta es la configuración del temporizador de reposo. La radio se encenderá en modo de espera cuando llegue el momento. Hay múltiples opciones de temporizador disponibles.

Use el mando <Tune / Select> para elegir y presione <Tune / Select> para confirmar.

Si desea cancelar la función del temporizador de reposo, seleccione "Desactivado" en el menú.

Time

Hay 5 configuraciones:

1. Establecer hora / fecha: Esto permite al usuario configurar manualmente la hora y fecha actuales.
2. Configure 12/24 horas: esta opción cambiará el formato de su reloj a 12 horas o 24 horas.
3. Establecer formato de fecha: esta opción cambiará el formato de la fecha a DD / MM / AAAA o MM / DD / AAAA.
4. Estilo de reloj: Elige si quieres mostrar el reloj en estilo analógico o digital.
5. Actualización automática: esta función configurará la hora y la fecha de la radio automáticamente con los datos enviados junto con la transmisión de la estación de radio FM o DAB. Puede elegir "Sin actualización" y la radio no recibirá los datos de la hora.

Nota:

La actualización automática de FM hora / fecha puede no funcionar en su área, por lo que se recomienda la actualización automática de DAB.

Retroiluminación de la pantalla

Hay 3 niveles de brillo que puede elegir: Alto, Medio y Bajo.

1. **Timeout:** esta opción se utiliza para establecer el período de tiempo que desea que la luz de fondo de su pantalla permanezca encendida cuando su radio se está reproduciendo sin realizar ninguna operación.

Las opciones disponibles son: Off / 10sec / 20sec / 30sec / 45sec / 60sec / 90sec / 120sec / 180sec.

Seleccione "Off" forzará la luz de fondo de su radio a permanecer encendida constantemente sin atenuarse sin importar durante la operación o inactiva. Si selecciona un intervalo de tiempo específico, una vez transcurrido el período de tiempo seleccionado, la pantalla se atenuará.

- 2. Level:** hay 3 niveles para elegir, alto, medio y bajo. Esta opción determinará qué tan brillante se ilumina la luz de fondo de la pantalla cuando la radio está funcionando.

Idioma

Hay varios idiomas disponibles para el menú: inglés, alemán, francés, noruego, italiano, sueco, danés, polaco y finlandés.

Restablecimiento de fábrica

Puede restablecer la radio a los valores predeterminados de fábrica en cualquier momento. Una vez que se ha realizado un reinicio, se borrarán todos los ajustes y ajustes previos y la radio volverá al modo DAB.

Versión SW

Presione para ver la versión del firmware.

Tenga en cuenta si no hay ninguna operación en 10 segundos, la radio volverá al último modo de reproducción.

Nota: Para salir / volver al último modo de reproducción, presione el botón <INFO / MENU>.

MENÚ PRINCIPAL DEL MODO FM

Mientras la radio está en modo FM, mantenga presionado el botón <INFO / MENU> en la radio para ingresar al menú principal.

Configuración de escaneo

Hay dos tipos de escaneo disponibles. El escaneo se lleva a cabo de acuerdo con "Emisora fuerte" o "Emisora completa". Si se selecciona "Emisora fuerte", escaneará solo los canales con señal de recepción fuerte donde se coloca la radio. Si se selecciona "Emisora completa", explorará los canales fuertes y débiles.

Configuración de audio

Puede elegir tener "Mono" o "Estéreo". Si la señal es débil y la recepción estéreo estable no es posible, seleccione "Mono" para obtener una mejor recepción. Cuando se está reproduciendo una estación de FM, presione el botón <TUNE / SELECT> para acceder a cambiar la configuración de audio. Cuando aparece con, significa que es estéreo. Para seleccionar Mono, presione < TUNE / SELECT > nuevamente. El icono desaparecerá y significa que Mono está seleccionado.

Sistema

Las opciones disponibles son las mismas que DAB (excepto "sintonía manual" y "poda inválida"). Consulte la sección DAB como se describe anteriormente.

PREGUNTAS Y RESPUESTAS

Si tiene problemas con su radio DAB, hay algunas comprobaciones rápidas y fáciles que puede hacer, que pueden ayudar a resolver el problema.

La radio no enciende

- Conecte el cable USB para cargar la batería e intente encender la radio nuevamente.

No hay recepción DAB

- Realice el "Restablecimiento de fábrica" en la radio y ajuste la longitud y la dirección de la antena.
- Mueva la radio cerca de la ventana.
- Realice una exploración completa nuevamente desde el menú principal (mantenga presionado el botón Información / Menú).

La recepción de radio es pobre

- Ajuste la longitud y la dirección de la antena para mejorar la recepción.
- Compruebe que no tiene otros equipos eléctricos demasiado cerca de su radio, lo que causa interferencias.

Sin sonido

- Ajuste el nivel de volumen.
- Cambie otros canales de radio y vea si hay sonido. Que podría ser el tema de recepción o el problema de radiodifusión que no tiene sonido.

FRANÇAIS

Nous vous remercions d'avoir acheté un produit Audizio. Veuillez lire la présente notice avant l'utilisation afin de pouvoir en profiter pleinement.

Veuillez lire la notice avant toute utilisation. Respectez impérativement les instructions afin de continuer à bénéficier de la garantie. Prenez toutes les précautions nécessaires pour éviter tout incendie ou décharge électrique. Seul un technicien spécialisé peut effectuer les réparations. Nous vous conseillons de conserver la présente notice pour pouvoir vous y reporter ultérieurement.

- Avant d'utiliser l'appareil, prenez conseil auprès d'un spécialiste. Lors de la première mise sous tension, il est possible qu'une odeur soit perceptible. C'est normal, l'odeur disparaîtra peu de temps après.
- L'appareil contient des composants porteurs de tension. N'OUVREZ JAMAIS le boîtier.
- Ne placez pas des objets métalliques ou du liquide sur l'appareil, cela pourrait causer des décharges électriques et dysfonctionnements.
- Ne placez pas l'appareil à proximité de sources de chaleur, par exemple radiateur. Ne positionnez pas l'appareil sur une surface vibrante. N'obturez pas les ouïes de ventilation.
- L'appareil n'est pas conçu pour une utilisation en continu.
- Faites attention au cordon secteur, il ne doit pas être endommagé.
- Lorsque vous débranchez l'appareil de la prise secteur, tenez-le par la prise, ne tirez jamais sur le cordon.
- Ne branchez pas et ne débranchez pas l'appareil avec les mains mouillées.
- Seul un technicien spécialisé peut remplacer la fiche secteur et / ou le cordon secteur.
- Si l'appareil est endommagé et donc les éléments internes sont visibles, ne branchez pas l'appareil, NE L'ALLUMEZ PAS. Contactez votre revendeur. NE BRANCHEZ PAS l'appareil à un rhéostat ou un dimmer.
- Pour éviter tout risque d'incendie ou de décharge électrique, n'exposez pas l'appareil à la pluie ou à l'humidité.
- Seul un technicien habilité et spécialisé peut effectuer les réparations
- Branchez l'appareil à une prise secteur 220-240 Vac/50 Hz avec terre, avec un fusible 10-16 A.
- Pendant un orage ou en cas de non-utilisation prolongée de l'appareil, débranchez l'appareil du secteur.
- En cas de non-utilisation prolongée de l'appareil, de la condensation peut être créée. Avant de l'allumer, laissez l'appareil atteindre la température ambiante. Ne l'utilisez jamais dans des pièces humides ou en extérieur.
- Afin d'éviter tout accident en entreprise, vous devez respecter les conseils et instructions.
- N'allumez pas et n'éteignez pas l'appareil de manière répétée. Cela réduit sa durée de vie.
- Conservez l'appareil hors de la portée des enfants. Ne laissez pas l'appareil sans surveillance.
- N'utilisez pas d'aérosols pour nettoyer les interrupteurs. Les résidus créent des dépôts et de la graisse. En cas de dysfonctionnement, demandez conseil à un spécialiste.
- Ne forcez pas les réglages.
- L'appareil contient un haut-parleur pouvant engendrer des champs magnétiques. Tenez cet appareil à 60 cm au moins d'un téléviseur ou ordinateur.
- Si le produit comprend un accumulateur intégré plomb-acide, rechargez l'accumulateur tous les 3 mois en cas de non-utilisation prolongée de l'appareil. Sinon, l'accumulateur pourrait être endommagé de manière permanente.
- Si l'accumulateur est endommagé, remplacez-le par un accumulateur de même type et déposez l'ancien accumulateur dans un container de recyclage adapté.
- Si l'appareil est tombé, faites-le toujours vérifier par un technicien avant de le rallumer.
- Pour nettoyer l'appareil, n'utilisez pas de produits chimiques qui abîment le revêtement, utilisez uniquement un tissu sec.
- Tenez toujours l'appareil éloigné de tout équipement électrique pouvant causer des interférences.
- Pour toute réparation, il faut impérativement utiliser des pièces d'origine, sinon il y a risque de dommages graves et / ou de radiations dangereuses.
- Eteignez toujours l'appareil avant de le débrancher du secteur et de tout autre appareil. Débranchez tous les cordons avant de déplacer l'appareil.
- Assurez-vous que le cordon secteur n'est pas abîmé si des personnes viennent à marcher dessus. Avant toute utilisation, vérifiez son état.
- La tension d'alimentation est de 220-240Vac/50 Hz. Vérifiez la compatibilité. Si vous voyagez, vérifiez que la tension d'alimentation du pays est compatible avec l'appareil.
- Conservez l'emballage d'origine pour pouvoir transporter l'appareil en toute sécurité.



Ce symbole doit attirer l'attention de l'utilisateur sur les tensions élevées présentes dans le boîtier de l'appareil, pouvant engendrer une décharge électrique.



Ce symbole doit attirer l'attention de l'utilisateur sur des instructions importantes détaillées dans la notice, elles doivent être lues et respectées.

Cet appareil porte le symbole CE. Il est interdit d'effectuer toute modification sur l'appareil. La certification CE et la garantie deviendraient caduques !

NOTE: Pour un fonctionnement normal de l'appareil, il doit être utilisé en intérieur avec une plage de température maximale autorisée entre 5°C/41°F et 35°C/95°F.



Ne jetez pas les produits électriques dans la poubelle domestique. Déposez-les dans une décharge. Demandez conseil aux autorisés ou à votre revendeur. Données techniques réservées. Les valeurs actuelles peuvent varier d'un produit à l'autre. Tout droit de modification réservé sans notification préalable.

N'essayez pas de réparer l'appareil vous-même. Vous perdriez tout droit à la garantie. Ne faites aucune modification sur l'appareil. Vous perdriez tout droit à la garantie. La garantie deviendrait également caduque en cas d'accidents ou dommages causés par une utilisation inappropriée de l'appareil ou un non respect des consignes présentes dans cette notice. Audizio ne pourrait être tenu responsable en cas de dommages matériels ou corporels causés par un non respect des consignes de sécurité et avertissements. Cela est également valable pour tous les dommages quelle que soit la forme.

DEBALLAGE

ATTENTION ! Immédiatement après réception, vérifiez le contenu du carton et assurez-vous que tous les éléments sont bien présents et en bon état. Si besoin, faites les réserves nécessaires si le matériel ou les cartons sont endommagés. Si l'appareil doit être retourné, faites-le dans l'emballage d'origine.

Si l'appareil a été exposé à des fluctuations importantes de températures (par exemple après le transport), ne l'allumez pas immédiatement. De la condensation peut survenir. Laissez l'appareil éteint le temps qu'il atteigne la température ambiante.

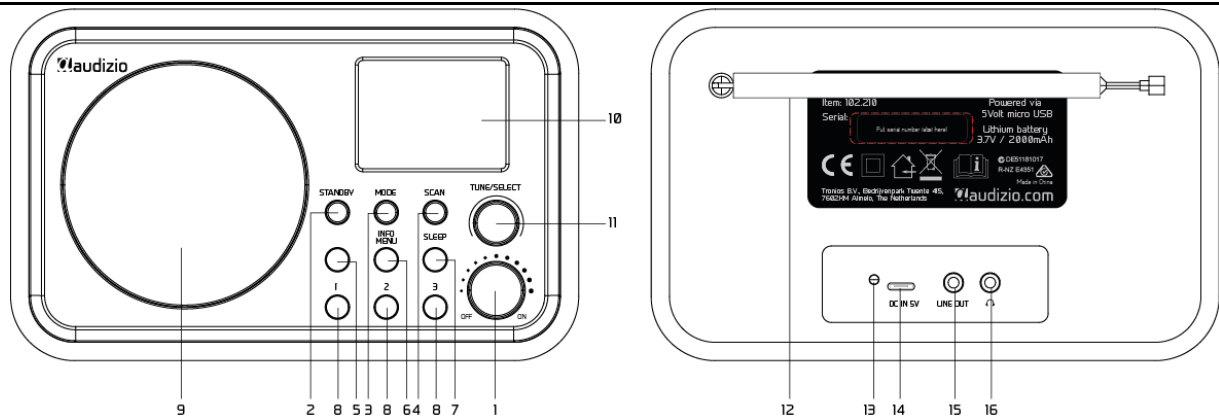
ALIMENTATION

Vous trouvez sur l'étiquette à l'arrière de l'appareil, le type d'alimentation à utiliser. Vérifiez que la tension d'alimentation corresponde à celle mentionnée. Toute autre alimentation peut endommager l'appareil. Reliez l'appareil au secteur, il est prêt à être utilisé. En aucun cas, vous ne devez utiliser de dimmer ou d'alimentation réglable.



Connectez toujours l'appareil à un circuit protégé (disjoncteur ou fusible). Assurez-vous que l'appareil soit correctement relié à la terre afin d'éviter tout risque d'électrocution ou d'incendie

REGLAGES



- Réglage Power / Volume**
Tournez vers la droite pour allumer la radio. Tournez vers la gauche pour éteindre. Pour augmenter / diminuer le niveau du volume.
- Standby on /off**
- Mode**
Pour commuter entre DAB, FM et BT.
- Scan**
DAB – Appuyez pour un scan complet.
FM – Appuyez pour un scan complet.
- ♥ (Preset)**
Appuyez et maintenez enfoncé pour accéder à la liste des presets. Appuyez pour rappeler la liste de presets.
- Info/Menu**
Maintenez la touche enfoncée pour entrer dans le menu principal, appuyez brièvement pour faire défiler les informations diffusées par la station de radio
- Sleep**
Appuyez pour accéder à la sélection Sleep Timer.
- Touche Preset 1 / 2 / 3**
Touche Preset 1-3. Appuyez et maintenez enfoncée pour faire un preset du canal. Appuyez brièvement pour rappeler.
- Haut-parleur**
- Ecran couleur TFT 2.4"**
- Tune / Select**
Appuyez pour confirmer / tournez le bouton pour naviguer dans la liste ou régler les fréquences radio. Pulse en el modo FM para buscar la siguiente emisora disponible.
- Antenne télescopique**
- Témoin de charge de la batterie**
- Entrée DC 5 V**
Port de charge USB-C.
- Sortie Ligne**
- Prise casque**

DEMARRER

La radio est alimentée par la batterie lithium intégrée. Un cordon USB pour charger la batterie est livré.

Allumez la radio en tournant le bouton **<Power/Volume>** vers la droite. La radio s'allume et passe en mode standby. Appuyez sur la touche **<Standby>** pour l'activer.

Pour revenir en mode standby, appuyez sur la touche **<Standby>**. Si vous voulez éteindre la radio, tournez le bouton **<Power/Volume>** vers la gauche jusqu'à ce que vous entendiez le clic et que l'écran s'éteigne.

CHARGEMENT DE LA BATTERIE

Vérifiez toujours l'indicateur de batterie dans le coin supérieur droit de l'écran pour connaître l'état de la batterie.

Lorsque la batterie est faible, l'indicateur de batterie est vide et le message "Battery low" s'affiche pour vous rappeler de recharger la batterie.

Pour charger la batterie, reliez le cordon USB au port situé à l'arrière de la radio et l'autre extrémité à une source d'alimentation 5 V. La LED brille en rouge pour indiquer que la batterie est en charge.

La LED devient verte lorsque la charge est terminée.

Remarque : La charge peut prendre un peu plus de temps si la radio fonctionne ou est en Standby pendant la charge.

LECTURE BT

Avant que la transmission entre votre appareil BT et la radio soit possible, les deux appareils doivent être appairés. Ce processus est appelé "appairage". La radio sert de récepteur, pour recevoir le flux de musique à diffuser à la radio. Si vous avez déjà été appairé à un appareil BT auparavant, cette connexion sera automatiquement rétablie lorsque les deux appareils seront à portée et que le fonctionnement BT aura été sélectionné sur la radio. Il n'est pas nécessaire de répéter l'appairage. Cette fonction peut devoir être active sur votre appareil BT.

- Appuyez sur la touche Menu pour afficher le menu de sélection des différents modes de fonctionnement.
- Utilisez la touche haut/bas pour sélectionner le mode de fonctionnement BT et appuyez sur l'interrupteur.
- Allumez l'appareil BT auquel vous voulez connecter la radio et activez le mode d'appairage. L'appareil scanne les appareils BT dans la zone de réception.
- Lorsque la radio est trouvée, votre appareil BT affiche son nom Audizio Milan.
- Sélectionnez la radio de votre appareil BT.
- Démarrez la lecture sur votre appareil BT.
- La lecture se fait maintenant par la radio.

MODE DAB

Si c'est la première fois que vous utilisez la radio, elle commencera à fonctionner en DAB. Sinon, appuyez sur le bouton **<MODE>** de la radio pour passer en mode DAB. La radio commencera à scanner toutes les stations de radio disponibles comme suit :

Scan 

Scanning...

Stations: 0



65%

La liste des stations scannées sera affichée une fois le scan effectué. Utilisez le bouton **<<TUNE/SELECT>** pour sélectionner la station de radio.

Lorsqu'une station de radio est en cours de diffusion et que vous souhaitez en choisir d'autres, tournez le bouton **<TUNE/SELECT>**.

Appuyez sur la touche **<INFO/MENU>** pour faire défiler les informations de la station.

Remarque : Réglez toujours la longueur et la direction de l'antenne télescopique pour optimiser le niveau de réception.

MODE FM

Sélectionnez le mode FM et appuyez **<SCAN>** pour activer le scan automatique. La radio va mémoriser automatiquement le preset lorsque le scan est terminé.

Pour régler manuellement la fréquence, tournez le bouton **<TUNE/ SELECT>** pour un réglage par palier de 0,05 MHz.

PRESET DE STATION

Votre radio peut mémoriser jusqu'à 40 stations DAB et 40 stations FM dans ses presets, vous permettant un accès immédiat à vos stations préférées.

1. Réglez votre radio sur la station que vous souhaitez préréglage.
2. Appuyez sur la touche <♥> de la radio et maintenez-la enfoncée, elle va accéder à la liste "Preset Store". Sélectionnez le numéro de preset que vous souhaitez enregistrer à l'aide du bouton <TUNE/SELECT>, appuyez sur le bouton <TUNE/SELECT> pour confirmer. Le numéro de preset est alors sauvegardé.
3. Il y a 3 boutons de preset sur la radio. Il permet de sauvegarder et de rappeler rapidement un canal dédié. Appuyez sur le bouton et maintenez-le enfoncé pour mémoriser la station.
4. Vous pouvez remplacer le preset existant par un autre en effectuant la même procédure de préréglage que celle décrite ci-dessus.

RAPPELER UN PRESET

Appuyez brièvement sur le bouton <♥> de l'appareil, la liste des presets s'affiche. Tournez le bouton <TUNE/SELECT> pour trouver la station que vous voulez écouter, puis appuyez sur le bouton <TUNE/SELECT> pour rappeler la station. Si vous avez préréglé les chaînes favorites pour les boutons de préréglage 1-3, il suffit d'appuyer sur ces boutons pour y accéder rapidement.

Note :

1. Si une station DAB ou FM existante est déjà enregistrée sous un preset, elle sera écrasée lorsque vous enregistrerez une nouvelle station.
2. Les presets DAB n'écrasent pas les presets des stations FM.

MENU PRINCIPAL MODE DAB

Lorsque vous écoutez une station de radio DAB, appuyez sur <INFO/MENU> et maintenez la touche enfoncée pour accéder au menu principal :

Menu	1/9
Scan	
Manual Tune	
Prune Invalid	▶
Sleep	▶
Time/Date	▶
Backlight	▶

Scan

Appuyez pour scanner les stations radio DAB.

Réglage manuel - Manual Tune

Appuyez pour accéder au réglage manuel, vous pouvez ensuite choisir la fréquence de 5A à 13F et réaliser un scan manuellement dans la fréquence disponible.

Prune Invalid

Certains services DAB peuvent cesser de diffuser ou vous pouvez ne pas être en mesure de recevoir une station. Sélectionnez "yes" pour supprimer les stations DAB qui ne peuvent plus être reçues de votre liste.

Sleep

Réglage de la minuterie. La radio se mettra en veille lorsque l'heure sera venue.

Plusieurs options de temporisation sont disponibles.

Utilisez le bouton <Tune/Select> pour choisir et appuyez sur <Tune/Select> pour confirmer.

Si vous souhaitez annuler la fonction de minuterie de mise en veille, sélectionnez "Off" dans le menu.

Time/Date

Il y a 5 réglages :

1. Fixer heure/date : Cette fonction permet à l'utilisateur de régler manuellement l'heure et la date actuelles.
2. Réglez 12/24 heures : Cette option permet de changer le format de votre horloge en format 12 heures ou 24 heures.
3. Définir le format de la date : Cette option permet de changer le format de la date en JJ/MM/AAAA ou MM/JJ/AAAA.
4. Style de l'horloge : Choisissez d'afficher l'horloge en mode analogique ou numérique.
5. Mise à jour automatique : cette fonction permet de régler automatiquement l'heure et la date de la radio avec les données envoyées par la diffusion de la station de radio FM ou DAB. Vous pouvez choisir "No Update", la radio ne recevra alors pas les données horaires.

Remarque :

La mise à jour automatique de l'heure et de la date en FM peut ne pas fonctionner dans votre région, c'est pourquoi l'option de mise à jour automatique du DAB est recommandée.

Backlight - Luminosité

Vous pouvez choisir entre trois niveaux de luminosité : Haute, moyenne et basse.

1. **Timeout** : Cette option permet de définir la durée pendant laquelle vous souhaitez que le rétro-éclairage de votre écran reste allumé lorsque votre radio est en train de fonctionner sans aucune opération.

Les options disponibles sont : Off /10sec /20sec /30sec /45sec /60sec /90sec /120 sec /180 sec.

Sélectionnez "Off" pour que le rétro-éclairage de votre radio reste allumé en permanence sans s'affaiblir, que ce soit en fonctionnement ou au repos. Si vous sélectionnez un intervalle de temps spécifique, l'affichage s'atténuera après l'écoulement de la période sélectionnée.

2. **On level**: Il y a 3 niveaux à choisir : élevé, moyen et faible. Cette option détermine la luminosité du rétro-éclairage de l'écran lorsque la radio fonctionne.

Language - Langue

Il y a plusieurs langues disponibles pour le menu : anglais, allemand, français, norvégien, italien, suédois, danois, polonais, finnois.

Factory reset – réinitialisation réglages usine

Vous pouvez à tout moment réinitialiser la radio à sa valeur par défaut. Une fois la réinitialisation effectuée, tous les réglages et préréglages précédents seront effacés et la radio repassera en mode DAB.

SW Version

Appuyez pour voir la version du firmware.

A noter que si aucune opération n'est effectuée dans les 10 secondes, la radio reviendra au dernier mode de lecture.

Remarque : Pour quitter / revenir au dernier niveau de menu, appuyez sur la touche **<INFO/MENU>**.

MENU PRINCIPAL MODE FM

Pendant que la radio est en mode FM, appuyez et maintenez la touche **<INFO/MENU>** enfoncée pour accéder au menu principal.

Réglage Scan

Il existe deux types de scan. Le scan s'effectue selon "Strong station" ou "All station". Si "Strong station" est sélectionnée, le scan ne portera que sur les chaînes à fort signal de réception. Si "All station" est sélectionné, il balayera les canaux forts et faibles.

Réglage audio

Vous pouvez choisir entre "Mono" ou "Stereo". Si le signal est faible et qu'une réception stéréo stable n'est pas possible, sélectionnez "Mono" pour obtenir une meilleure réception. Lorsqu'une station FM est en cours de lecture, appuyez sur le bouton **<TUNE/SELECT>** pour modifier le réglage audio. Lorsqu'il apparaît, il s'agit d'une station stéréo. Pour sélectionner "Mono", appuyez à nouveau sur **<TUNE/SELECT>**. L'icône disparaîtra et cela signifie que Mono est sélectionné.

System

Les options disponibles sont les mêmes que pour la DAB (à l'exception de "manual tune" et "prune invalid"). Reportez-vous au point dédié à la section DAB comme décrit ci-dessus.

FAQ

Si vous rencontrez des problèmes avec votre radio DAB, vous pouvez effectuer quelques vérifications rapides et faciles, qui peuvent aider à résoudre le problème.

La radio ne s'allume pas/ne fonctionne pas

- Branchez le câble USB pour charger la batterie et essayez de rallumer la radio.

Pas de réception DAB

- Procédez à une réinitialisation de la radio et ajuster la longueur et la direction de l'antenne.
- Rapprochez la radio de la fenêtre.
- Effectuez à nouveau le SCAN complet à partir du menu principal (Maintenez la touche Info/Menu enfoncée).

La réception radio est mauvaise

- Ajuste la longueur et la direction de l'antenne pour améliorer la réception.
- Vérifiez que vous n'avez pas d'autres appareils électriques trop proches de votre radio, ce qui pourrait générer des interférences.

Pas de son

- Ajustez le niveau de volume.
- Changez les autres canaux radio pour voir s'il y a du son. Il peut s'agir d'un problème de réception ou un problème dans la diffusion qui n'émet pas de son.

TECHNICAL SPECIFICATION / TECHNISCHE SPECIFICATIE / TECHNISCHE DATEN /
 SPECIFICACIONES TÉCNICAS / SPÉCIFICATIONS TECHNIQUES

	Milan DAB+ Radio		
Item nr:	102.210	102.212	102.214
Colour:	White	Black	Wood
Power supply:	5Volt via USB		
Battery:	Lithium 3.7Volt / 2000mAh		
Output power:	30 Watt		
Playback:	BT Streaming, DAB+ Tuner, FM-Radio		
Dimension:	186 x 120 x115mm		
Weight:	0,89kg		

The specifications are typical. The actual values can slightly change from one unit to the other. Specifications can be changed without prior notice.

The products referred to in this manual conform to the European Community Directives to which they are subject:

European Union

Tronios B.V.,
 Bedrijvenpark Twente Noord 18,
 7602KR Almelo, The Netherlands

2014/35/EU
 2014/30/EU
 2011/65/EC
 2014/53/EU



United Kingdom

Tronios Ltd.,
 130 Harley Street,
 London W1G 7JU, United Kingdom

S.I. 2016:1101
 S.I. 2016:1091
 S.I. 2012:3032
 S.I. 2017:1206



Specifications and design are subject to change without prior notice.

www.audizio.com

Copyright © 2024 by Tronios The Netherlands